

# Vermeer (grate) BM-4552

Uplighting  
Underwater Lighting  
Architectural Lighting  
Fountain/Statue Lighting  
Highlighting  
Sign Lighting  
Wall Lighting  
Backlighting  
Reflective Lighting  
Mirror Lighting



**Nightscaping®**  
1705 E. Colton Avenue  
Redlands, California 92374  
Tel: (909) 794-2121  
Fax: (909) 794-7292  
Help Line: (800) 544-4840  
E-mail: [info@nightscaping.com](mailto:info@nightscaping.com)  
<http://www.nightscaping.com>

Cast light distances of up to 50' with the Vermeer featuring a rock grate. Use this fixture to graze buildings, uplight trees and flags or anywhere a controlled beam of light is required. You can also use this fixture, backed by a lifetime guarantee, for fountain and pond lighting applications.

**Standard Lamp:** BM-4552BR -LO2036 (Standard)

**Material:** All Pressurized Die-Cast Brass

**Finish:** BM-4552 BR (Standard) Brass  
BM-4552 BR-V Brass-Verde  
BM-4552 BR-1, -2, -3, -4, -7, -8, -9, -AV, -VP, -W  
(Optional w/surcharge)

**Lens:** Clear Tempered Glass (Standard)

**Socket:** Ceramic G6.35 Bi-Pin

**Mounting:** Ground Mount as Well-Light or Surface Mount in Fountains and Ponds (Standard)

*Nightscaping®*

# Vermeer (grate)

## BM-4552



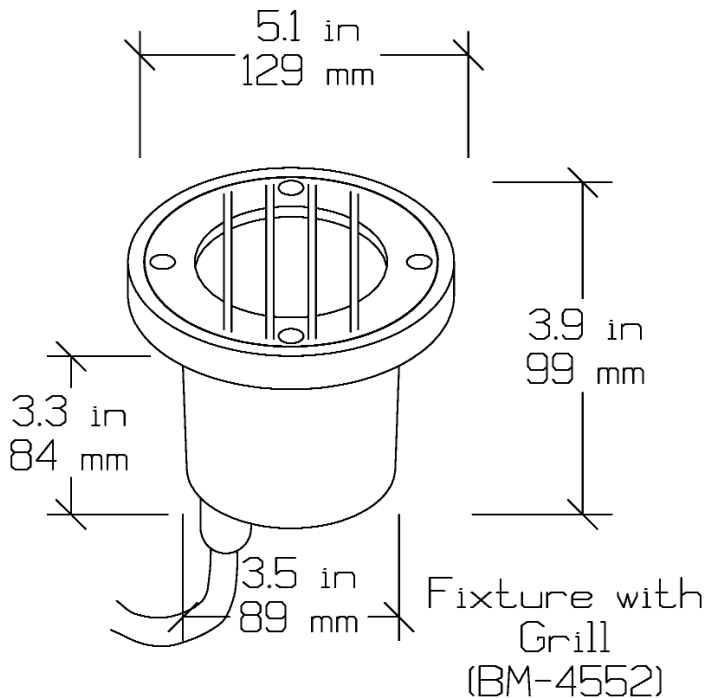
*Nightscaping*

**Alternative Lamps:** BM-4552BR -LO1024\*, -LO2006, -LO2012, -LO3512, -LO3520, -LO3540, -LO4208, -LO5012, -LO5024,-LO5038, -LO5055, -LH5024\*, -LH5036\* (Optional)  
 \* = Surcharge

**Options:** See above indications  
**Lamp Holder:** BM-4552BR-LO2036 -ALH Adjustable Lamp Holder

**Accessories:**  
**Lens:** NS-VM-C (Standard/Accessory) Clear Lens  
**Stand:** 4551BR Vermeer Stand  
**Lens Holders - Brass:**  
 B-0001 Convert existing Vermeer with this Ring Lens Holder. (Also replaces BM-4551BR lens holder)  
 B-0002 Convert existing Vermeer with this Grate Lens Holder. (Also replaces BM-4552BR lens holder)  
 B-0003 Convert existing Vermeer with this Shield Lens Holder. (Also replaces BM-4553BR lens holder)  
 B-0004 Convert existing Vermeer with this Diffuser Lens Holder. (Also replaces BM-4554BR lens holder)

**Warranty:** LIFE 'Repair or Replace' Warranty to original Owner.



|      | LO 2036 (BAB) (20W) | 42° x 42° |
|------|---------------------|-----------|
| 2ft  | 1'6"                | 131.3 FC  |
| 4ft  | 3'0"                | 32.8      |
| 6ft  | 4'7"                | 14.6      |
| 8ft  | 6'1"                | 8.2       |
| 10ft | 7'8"                | 5.3       |
| 12ft | 9'2"                | 3.7       |
| 14ft | 10'9"               | 2.7       |
| 16ft | 12'3"               | 2.1       |
| 18ft | 13'9"               | 1.6       |
| 20ft | 15'4"               | 1.3       |

STANDARD LAMP PHOTOMETRIC

### DESIGN TIP\*

Use in wet or dry locations.