

Vermeer (diffuser) BM-4554

Uplighting
Pathlighting
Underwater Lighting
Architectural Lighting
Deck/Dock Lighting
Backlighting
Stairway/Step Lighting



Nightscaping®
1705 E. Colton Avenue
Redlands, California 92374
Tel: (909) 794-2121
Fax: (909) 794-7292
Help Line: (800) 544-4840
E-mail: info@nightscaping.com
<http://www.nightscaping.com>

Spread light laterally using the Vermeer topped with a solid, pressure die-cast Brass diffuser. Try using this fixture to light walks, driveways, decks or docks. Also appropriate for providing traverse lighting in commercial or high-end residential applications. Like all versions of the Vermeer, this fixture is backed by a lifetime warranty.

Standard Lamp: BM-4554BR -LO2036 (Standard)

Material: All Pressurized Die-Cast Brass

Finish: BM-4554 BR (Standard) Brass
BM-4554 BR-V Brass-Verde
BM-4554 BR-1, -2, -3, -4, -7, -8, -9, -AV, -VP, -W
(Optional w/surcharge)

Lens: Clear Tempered Glass (Standard)

Socket: Ceramic G6.35 Bi-Pin

Mounting: Ground Mount as Well-Light or Surface Mount in Fountains and Ponds (Standard)

Nightscaping®

Vermeer (diffuser)

BM-4554



Nightscaping

Alternative Lamps: BM-4554BR -LO1024*, -LO2006, -LO2012, -LO3512, -LO3520, -LO3540, -LO4208, -LO5012, -LO5024, -LO5038, -LO5055, -LH5024*, -LH5036* (Optional)

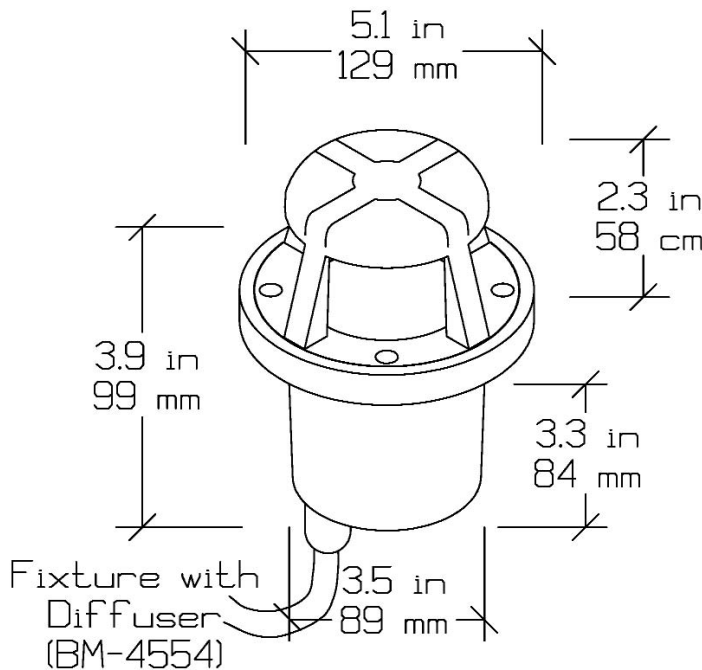
* = Surcharge

Options: See above indications
Lamp Holder: BM-4554BR-LO2036 -ALH Adjustable Lamp Holder

Accessories:

- Lens:** NS-VM-C (Standard/Accessory) Clear Lens
- Stand:**
 - 4551BR Stand
 - 4551-REF Reflector
- Lens Holders - Brass:**
 - B-0001 Convert existing Vermeer with this Ring Lens Holder. (Also replaces BM-4551BR lens holder)
 - B-0002 Convert existing Vermeer with this Grate Lens Holder. (Also replaces BM-4552BR lens holder)
 - B-0003 Convert existing Vermeer with this Shield Lens Holder. (Also replaces BM-4553BR lens holder)
 - B-0004 Convert existing Vermeer with this Diffuser Lens Holder. (Also replaces BM-4554BR lens holder)

Warranty: LIFE 'Repair or Replace' Warranty to original Owner.



	LO 2036 (BAB) (20W)	42° x 42°
2ft	1'6"	131.3 FC
4ft	3'0"	32.8
6ft	4'7"	14.6
8ft	6'1"	8.2
10ft	7'8"	5.3
12ft	9'2"	3.7
14ft	10'9"	2.7
16ft	12'3"	2.1
18ft	13'9"	1.6
20ft	15'4"	1.3

STANDARD LAMP PHOTOMETRIC

DESIGN TIP*

Great fixture for marking the edges of paths and driveways.