

Turtle GH-0406

Pathlighting
Backlighting
Architectural Lighting
Patio Lighting
Uplighting
Reflective Lighting
Highlighting
Sign Lighting
Stairway/Step Lighting



Nightscaping®
1705 E. Colton Avenue
Redlands, California 92374
Tel: (909) 794-2121
Fax: (909) 794-7292
Help Line: (800) 544-4840
E-mail: info@nightscaping.com
<http://www.nightscaping.com>

Specify the Turtle in your lighting projects and discover the unlimited potential offered by this versatile fixture. Lay the fixture flat to graze light across the ground and create functional pathlighting. Mount the Turtle on an adjustable pivoting knuckle and use it to light signage, entry ways, walls and other architectural features. Or, use the Turtle as a wall mounted sconce for either up, down or backlighting.

Lamp Standard GH-0406-1 -LOQ20 (Standard)
Material: **Body/Base:** Cast Aluminum
Finish: GH-0406 -1, -7 (Standard)
GH-0406 -2, -3, -4, -8, -9, -AV, -VP, -W
(Optional w/surcharge)
GH-0406BR Brass
Lens: Tempered Glass - Linear Spread Lens (Standard)
Socket: Ceramic G4 Bi-Pin
Mounting: Direct Surface Mount (Standard) - Has provision for two 1/2" conduits.

Nightscaping®

Turtle

GH-0406



Nightscaping

Alternative	GH-0406-1	-LOQ5, -LOQ10, -LOQ35 (Optional)
Lamps:	GH-0406-1	-LOQ50 (Optional w/GY6.35 Socket)

Optional: See above indications

Mounting:

GH-0406-1-LOQ20	-KNC	Knuckle with Conduit Mount - Aluminum and Steel
GH-0406-1-LOQ20	-KNF	Knuckle with Floor Mount - Both Aluminum
GH-0406-1-LOQ20	-KNS	Knuckle with Spike Mount - Both Aluminum

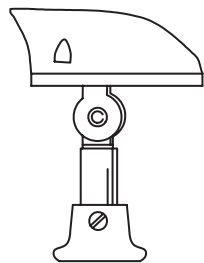
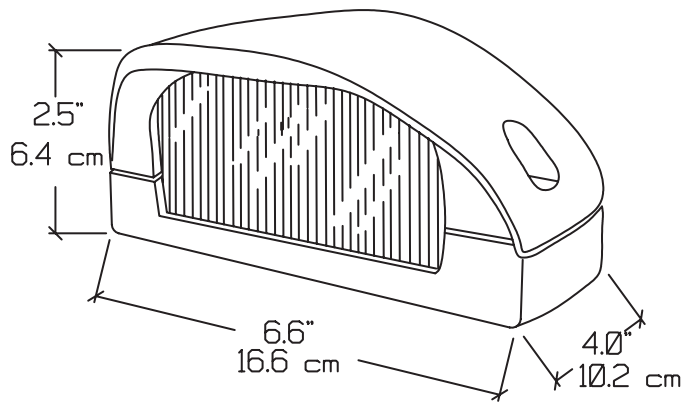
Vandalism:

GH-0406-1-LOQ20	-VAN	Vandal-Proof Hardware. Replaces standard stainless steel mount hardware with vandal-resistant type. Special wrench included
-----------------	------	---

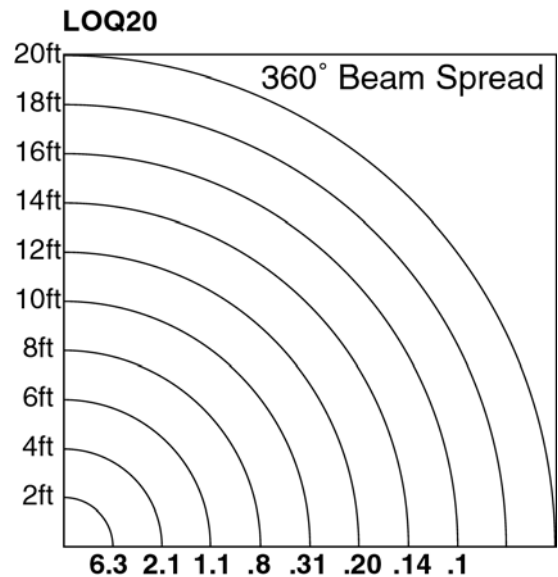
Accessories:

Lens:	5001	Tempered Skytex Lens 5/32"
Louvre:	LR-0502	Round 5" x 2" x 1/8" Black Louvre - Steel

Warranty: 10-year 'repair or replacement' warranty. \Repair de 10 o \warranty..



Knuckle and Spike (-KNS)
option available



STANDARD LAMP PHOTOMETRIC