

Tuliter UD-0405

Downlighting

Backlighting

Architectural Lighting

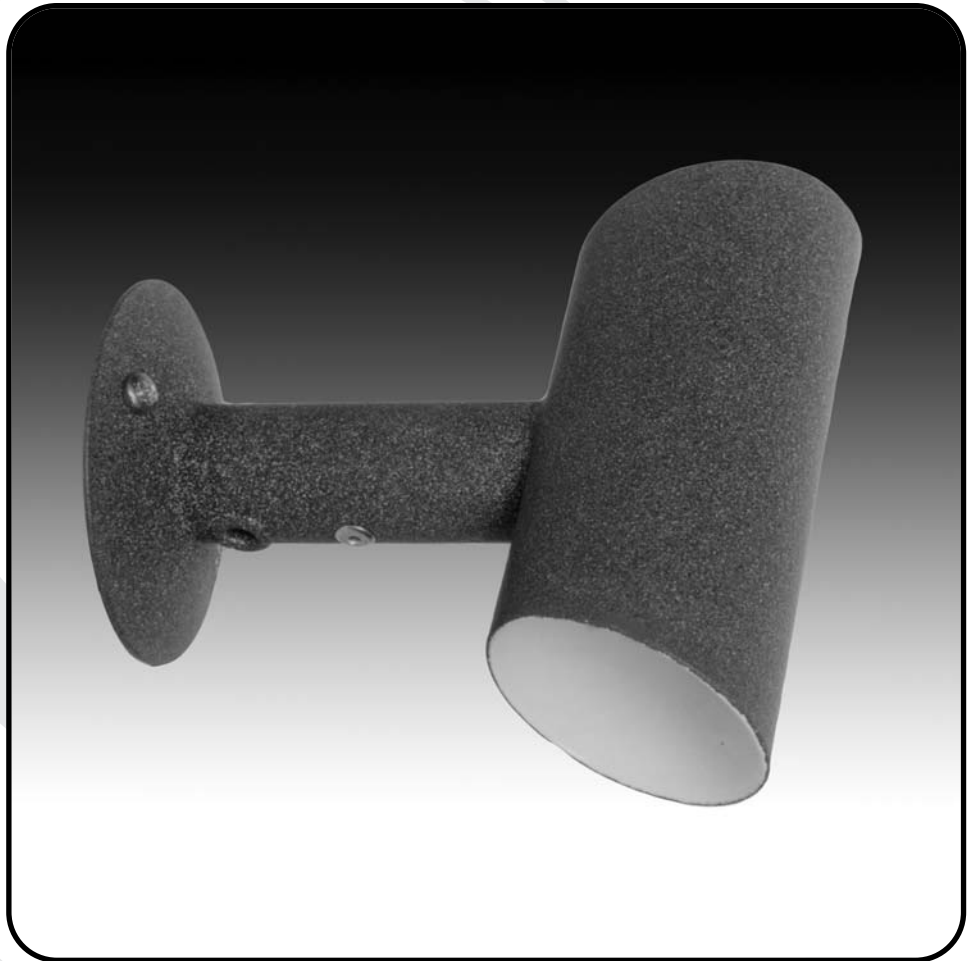
Patio/Gazebo Lighting

Deck/Dock Lighting

Wall Lighting

Moonlighting

Reflective Lighting



Nightscaping®

1705 E. Colton Avenue
Redlands, California 92374
Tel: (909) 794-2121
Fax: (909) 794-7292
Help Line: (800) 544-4840
E-mail: info@nightscaping.com
<http://www.nightscaping.com>

Provide both up and downlighting with a single fixture when you specify the Nightscaping® Tuliter. Long a favorite of professional designers, this simple fixture emits a soft up and down light pattern when mounted on facades, gazebo posts and other garden structures. Also, try it under benches for traverse lighting and in latticework or trellises to cast light on vines and flowers.

Lamp Standard UD-0405-1 -LO912 (Standard)

Material: **Body:** Phosphatized Steel
Also available in Copper

Finish: UD-0405 -1, -7 (Standard)
UD-0405 -2, -3, -4, -8, -9, -AV, -VP, -W
(Optional w/surcharge)
UD-0405 CU Copper
UD-0405 CU-V Copper-Verde

Socket: Non-corroding Noryl™ (Wedge Base)

Mounting: Wall Mount (Standard)

Nightscaping®

Tuliter

UD-0405



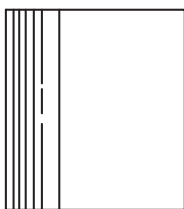
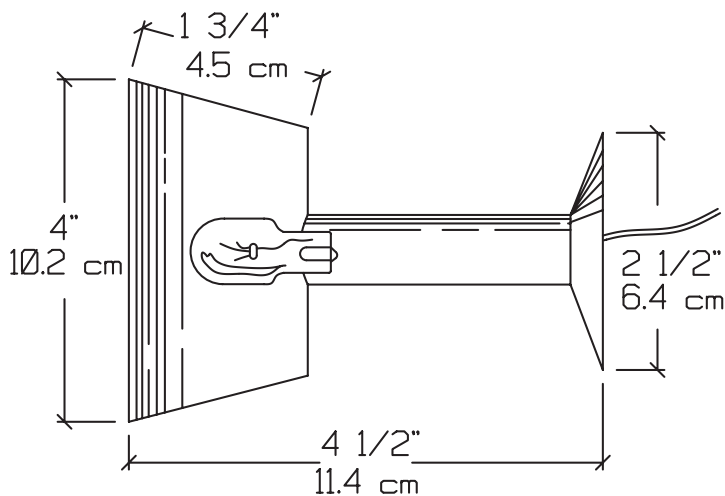
Nightscaping

Alternative Lamps: UD-0405-1 -LO904, -LO906

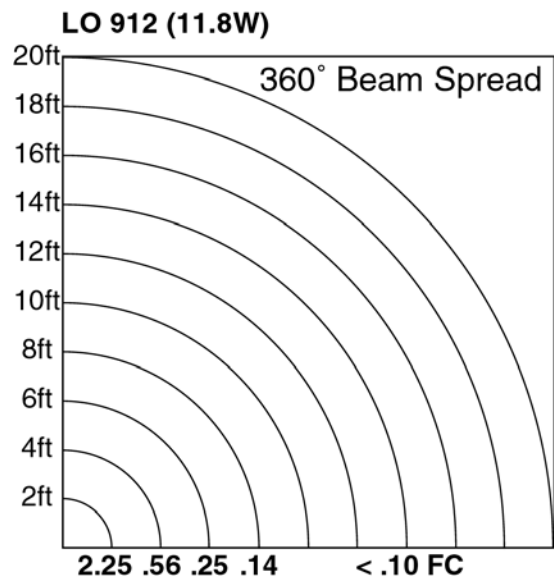
Optional: See above indications
Body:
 UD-0405-1-LO921 -PERF (Optional) Perforated Body
 UD-0405-1-LO921 -CP (Optional) One End of Body Capped

Accessories: **Lens with Retainer Rings:**
 NS-LO-T-A, -B, -C, -G, -R, -S Plexiglass
Light Shield: Attaches to rim. Used for extra light shielding
 0405-S-1, -2, -3, -4, -7, -8, -9, -AV, -VP, -W (Optional w/surcharge)
 0405-S-CU Copper
 0405-S-CU-V Copper-Verde

Warranty: 10-year 'repair or replacement' warranty. \Repair de 10 o \warranty..



Shield Available



STANDARD LAMP PHOTOMETRIC

DESIGN TIP*

Creates a soft glow when used under benches. Additional custom mounting plates available.