

Rose Stem GD-3815

Pathlighting

Architectural Lighting

Stairway/Step Lighting

Downlighting

Highlighting

Recreational Lighting



Nightscaping®

1705 E. Colton Avenue
Redlands, California 92374
Tel: (909) 794-2121
Fax: (909) 794-7292
Help Line: (800) 544-4840
E-mail: info@nightscaping.com
<http://www.nightscaping.com>

A vertical version of the Rose Bud, the Rose Stem fixture is an elegant addition to gardens and recreation spaces. Standing over 3 feet tall it is an excellent choice for illuminating around large circular driveways, outdoor courts, and large bed or planting areas.

Standard Lamp: GD-3815-1 -LO912 (Standard) (3 Lamp Fixture)

Material: **Top/Stem:** Phosphatized Steel
Also available in Copper

Finish: GD-3815 -1, -7 (Standard)
GD-3815 -2, -3, -4, -8, -9, -AV, -VP, -W
(Optional w/surcharge)
GD-3815 CU Copper
GD-3815 CU-V Copper-Verde

Socket: 3 Non-corroding Noryl™ (Wedge Base)

Mounting: Stem Mount (Standard)

Nightscaping®

Rose Stem

GD-3815



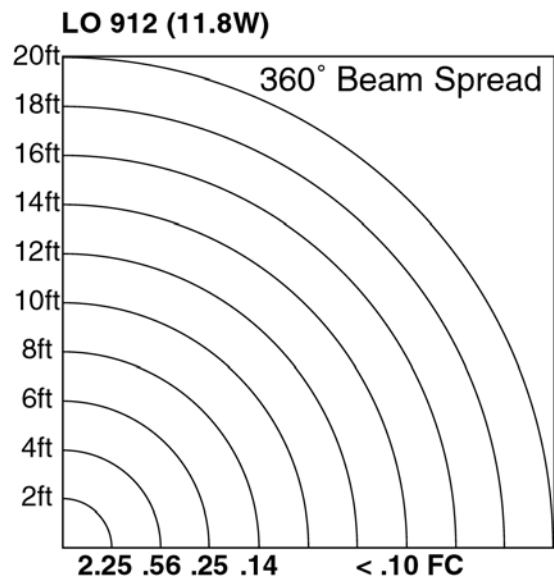
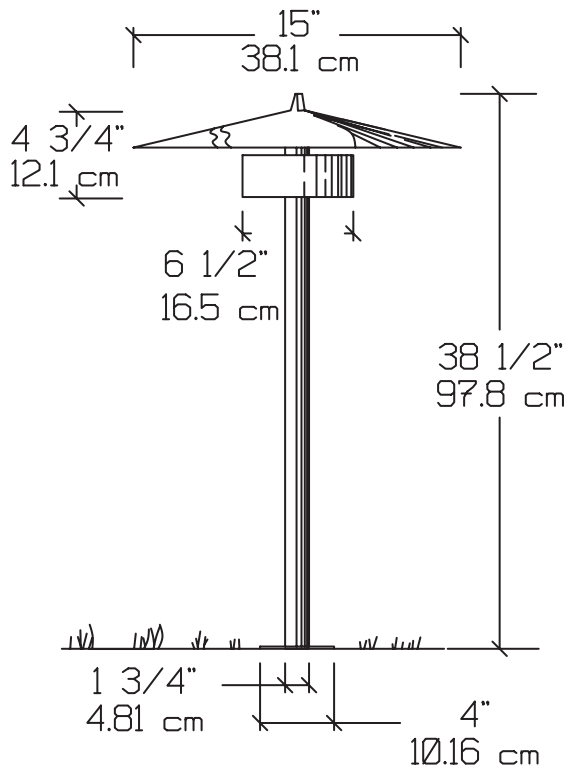
Nightscaping[®]

Alternative Lamps: GD-3815-1 -LO904, -LO906, -LO921 LOX1430*, LOX1433*
 *=surcharge

Mounting Options: GD-3815-1-LO912 -GS-18 No Mount Plate - Stem is 18" Longer- Bottom of stem is cut at 45° angle
 GD-3815-1-LO912 -GS-18 Adapter w/GS-18 Spike

Options: See above indications

Warranty: 10-Year 'Repair or Replace' Warranty.



STANDARD LAMP PHOTOMETRIC

DESIGN TIP*

Try the Rose Stem on home putting greens.