

# Rose Bud GD-3415

Pathlighting

Stairway/Step Lighting

Downlighting

Highlighting

Recreational Lighting



## Nightscaping®

1705 E. Colton Avenue  
Redlands, California 92374  
Tel: (909) 794-2121  
Fax: (909) 794-7292  
Help Line: (800) 544-4840  
E-mail: [info@nightscaping.com](mailto:info@nightscaping.com)  
<http://www.nightscaping.com>

Add to any large scale lighting assignment with the clean lines of the Nightscaping® Rose Bud! This is the perfect fixture for illuminating home putting greens, croquet courts, shuffleboard courts and medium plantings. Try locating the Rose Bud on 12 foot center spacing to achieve a soft even level of light across large areas in the landscape.

**Standard Lamp:** GD-3415-1 -LO912 (Standard) (3 Lamp Fixture)

**Material:** **Top/Stem:** Phosphatized Steel  
Also available in Copper

**Finish:** GD-3415 -1, -7 (Standard)  
GD-3415 -2, -3, -4, -8, -9, -AV, -VP, -W  
(Optional w/surcharge)  
GD-3415 CU Copper  
GD-3415 CU-V Copper-Verde

**Socket:** 3 Non-corroding Noryl™ (Wedge Base)

**Mounting:** 18" Extruded Aluminum Ground Stake

*Nightscaping®*

# Rose Bud

GD-3415

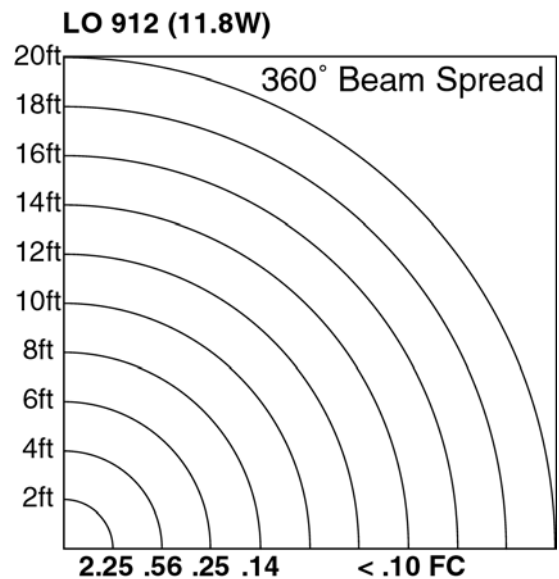
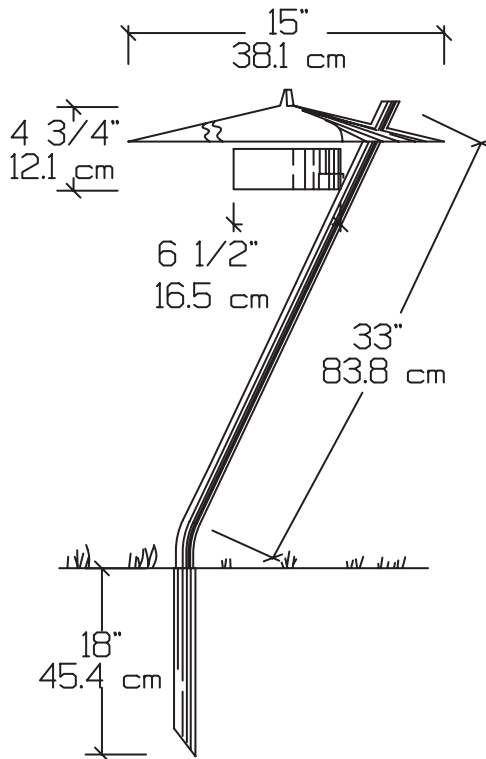


*Nightscaping*<sup>®</sup>

**Alternative Lamps:** GD-3415-1 -LO904, -LO906, -LO921 (Optional) LOX1430\*, LOX1433\*  
\* = surcharge

**Options:** See above indications

**Warranty:** 10-Year 'Repair or Replace' Warranty.



STANDARD LAMP PHOTOMETRIC

## DESIGN TIP\*

Try the Rose Bud on home putting greens, and game courts.