

Quadliter GD-1606

Pathlighting

Stairway/Step Lighting

Architectural Lighting

Deck/Dock Lighting



Nightscaping®

1705 E. Colton Avenue
Redlands, California 92374
Tel: (909) 794-2121
Fax: (909) 794-7292
Help Line: (800) 544-4840
E-mail: info@nightscaping.com
<http://www.nightscaping.com>

Throw diminishing light level patterns 14 feet with the Nightscaping® brand Quadliter! Built-in glare control makes this fixture a perfect choice for marking walkways, driveways, turns, steps, exits and hazards. It is also proven to be a top performer in commercial spaces. The concentric rings of light produced will add both function and beauty to any landscape.

Standard Lamp: GD-1606-1 -LO93 (Standard)

Material: **Top/Stem:** Stainless Steel
Also available in Copper

Finish: GD-1606 -1, -7 (Standard)
GD-1606 -2, -3, -4, -8, -9, -AV, -VP, -W
(Optional w/surcharge)
GD-1606 CU Copper
GD-1606 CU-V Copper-Verde

Socket: Non-corroding polycarbonate (Single-Contact Bayonet)

Mounting: Spike Mount (Standard)

Nightscaping®

Quadliter

GD-1606



Nightscaping

Alternative Lamps: GD-1606-1 -LO1141, -LO1156, -LO67, -LO89 (Optional)

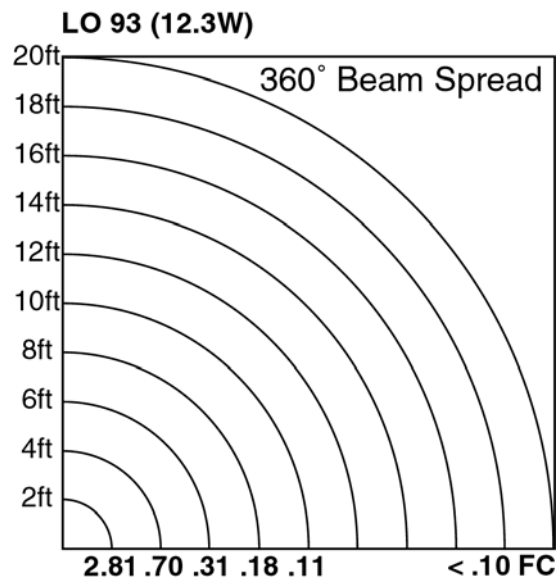
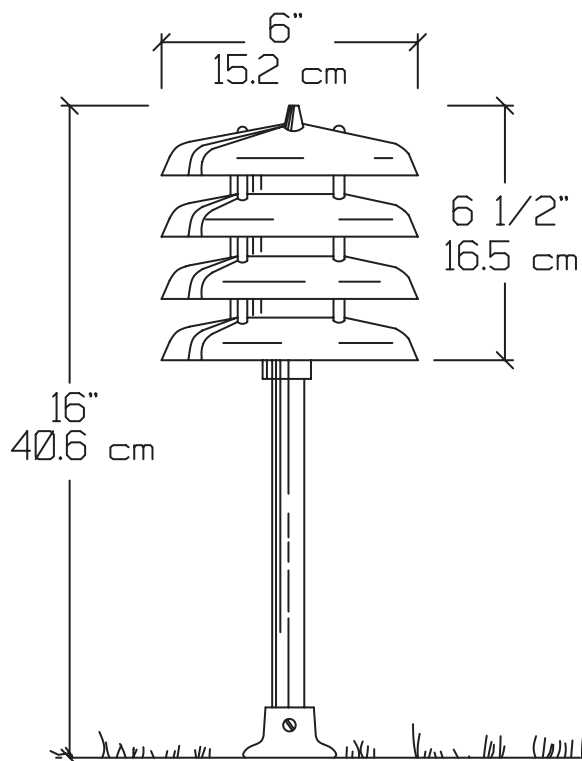
Mounting Options:

GD-1606-1-LO93	-CM (Optional)	Conduit Mount with 1/2" male pipe threads. (Factory installed)
GD-1606-1-LO93	-FMO (Optional)	Floor Mount - Aluminum
GD-1606CU-LO93	-FMO (Optional)	Floor Mount - Brass

Options: See above indications
Stems (Steel/Copper):
 GD-1606-1-LO93 -H18 10" longer stem (25" total fixture height)

Accessories: See above indications
Sprinkler Shield: Keeps water away from lamp.
 WS-0505 -C Clear Pyrex
 WS-0505 -A, -B, -G, -R, -S Colored Pyrex

Warranty: 10-Year 'Repair or Replace' Warranty.



STANDARD LAMP PHOTOMETRIC