

Powerliter II GU-9536

Uplighting

Spot Lighting

Architectural Lighting

Fountain/Statue Lighting

Highlighting

Flood Lighting

Sign Lighting

Wall Lighting

Cross Lighting

Backlighting

Reflective Lighting

Mirror Lighting



Nightscaping®

1705 E. Colton Avenue
Redlands, California 92374
Tel: (909) 794-2121
Fax: (909) 794-7292
Help Line: (800) 544-4840
E-mail: info@nightscaping.com
<http://www.nightscaping.com>

Highlight trees and focal points with Nightscaping's® Powerliter II. Also appropriate for general flood lighting, this fixture features a ball and socket knuckle that allows for precise positioning and light direction. The Powerliter II is available with a PAR 36 (GU-9536) lamp, also available in a PAR 16 lamp (GU-9556).

Standard Lamp: PAR36 Screw Terminal Lamps:
GU-1305-1 -LO4414 (Standard)

Material: **Body:** Black Fiber-Impregnated Composite
Stem: Aluminum

Finish: GU-9536 -1, -7 (Standard)
GU-9536 -2, -3, -4, -8, -9, -AV, -VP, -W
(Optional w/surcharge)

Mounting: Spike Mount (Standard)

Nightscaping®

Powerlitter II

GU-9536



Nightscaping

Alternative Lamps: GU-9536-1 -LO4405*, -LO4406, -LO4411, -LO4415, -LO4416, -LO4446*, -LO25NSP*, -LO25VNS*, -LO25VWFL*, -LO25WFL*, -LO36NSP*, -LO36VNS*, -LO36WFL*, -LO50NSP*, -LO50VNS*, -LO50VWFL*, -LO50WFL*

Halogen PAR36 Screw Terminal Lamps:

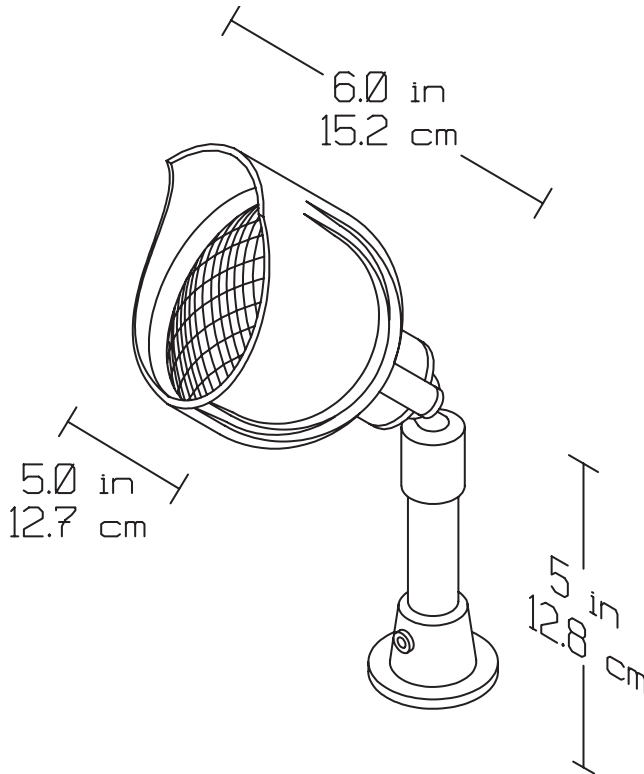
GU-9536-1 -LO7600*, -LO7606*, -LO7610*, -LO7616*, -LOH35NSP*, -LOH35VNS*, -LO35WFL*, -LOH50NSP*, -LOH50VNS*, -LOH50WFL*

* = Surcharge

Mounting Options: GU-9536-1-LO4414 -FMO (Optional) Floor Mount - Aluminum

Accessories: **Lens:**
 NS-PL2-C (Accessory) Clear Tempered Glass
 NS-PL2-A, -B, -G, -R, -S (Optional) Colored Tempered Glass

Warranty: 10-Year 'Repair or Replace' Warranty.



	LO 4414 (14.9W)	50° x 25°
2ft	1'10" x 10"	266.0 FC
4ft	3'8" x 1'9"	66.5
6ft	5'7" x 2'8"	29.6
8ft	7'5" x 3'6"	16.6
10ft	9'4" x 4'5"	10.6
12ft	11'2" x 5'4"	7.4
14ft	13' x 6'2"	5.4
16ft	14'11" x 7'	4.2
18ft	16'9" x 7'11"	3.3
20ft	18'7" x 8'10"	2.7

STANDARD LAMP PHOTOMETRIC