

# Postliter WM-3535

Downlighting  
Pathlighting  
Backlighting  
Architectural Lighting  
Patio/Gazebo Lighting  
Wall Lighting  
Stairway/Step Lighting  
Reflective Lighting  
Highlighting  
Deck/Dock Lighting  
Recreational Lighting



**Nightscaping®**  
1705 E. Colton Avenue  
Redlands, California 92374  
Tel: (909) 794-2121  
Fax: (909) 794-7292  
Help Line: (800) 544-4840  
E-mail: [info@nightscaping.com](mailto:info@nightscaping.com)  
<http://www.nightscaping.com>

Light decks and docks with the Nightscaping® brand Postliter. Built specifically for this type of construction, the Postliter fits perfectly onto a finished 4"x4" (3-5/8"x3"-5/8") posts. The low-profile design blends seamlessly with construction as the fixture lends safety and traverse lighting to steps, walkways, decks and docks.

**Standard Lamp:** WM-3535 -LO921 (Standard)  
**Material:** Cast-Aluminum  
Also available in Copper (see PL-49)  
**Finish:** WM-3535 -1, -7, -W (Standard)  
WM-3535 -2, -3, -4, -8, -9, -AV, -VP  
(Optional w/surcharge)  
**Socket:** Non-corroding Noryl™ (Wedge Base)  
**Mounting:** Key-hole Slot Mount (Standard)

*Nightscaping®*

# Postliter

WM-3535

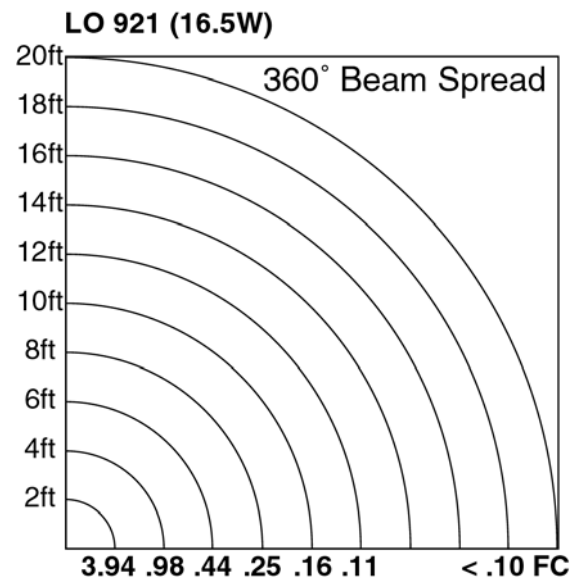
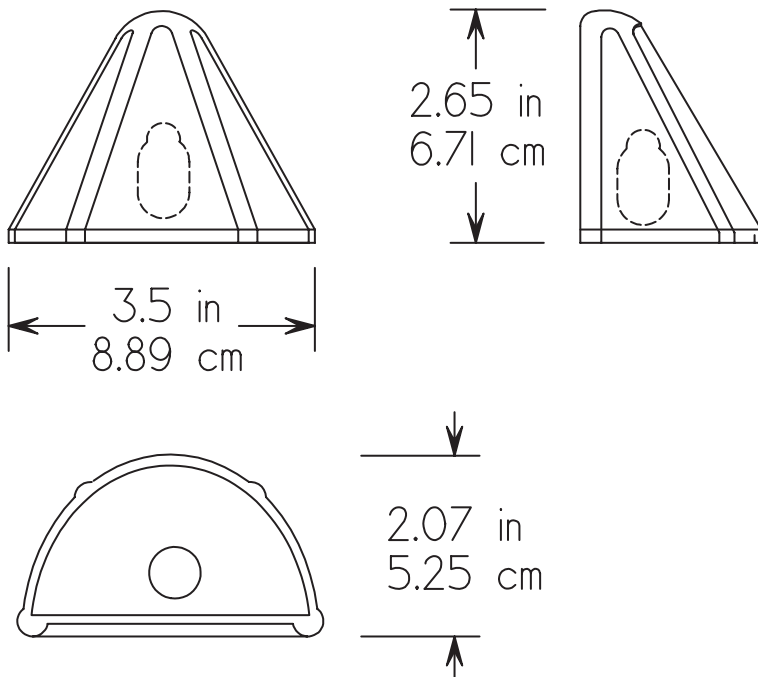


*Nightscaping*<sup>®</sup>

**Alternative Lamps:** WM-3535 -LO904, -LO906, -LO912 (Optional)

**Options:** See above indications

**Warranty:** 10-Year 'Repair or Replace' Warranty.



STANDARD LAMP PHOTOMETRIC

## DESIGN TIP\*

Also available in Copper: WM-3535CU