



# Pioneer Lantern

## PL-0706



*Nightscaping*

**Alternative Lamps:** PL-0706-1 -LO194/921 (Standard)  
 PL-0706-1 -LO161, -LO194A\*, -LO658\*, -LO904, -LO906, -LO912 (Optional)  
 \* = Surcharge

**Lens:** Tempered Heat-Resistant Glass Globe

**Optional:** See above indications

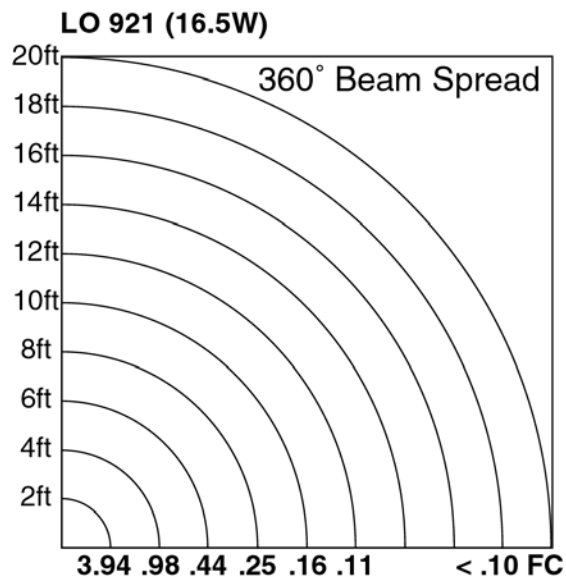
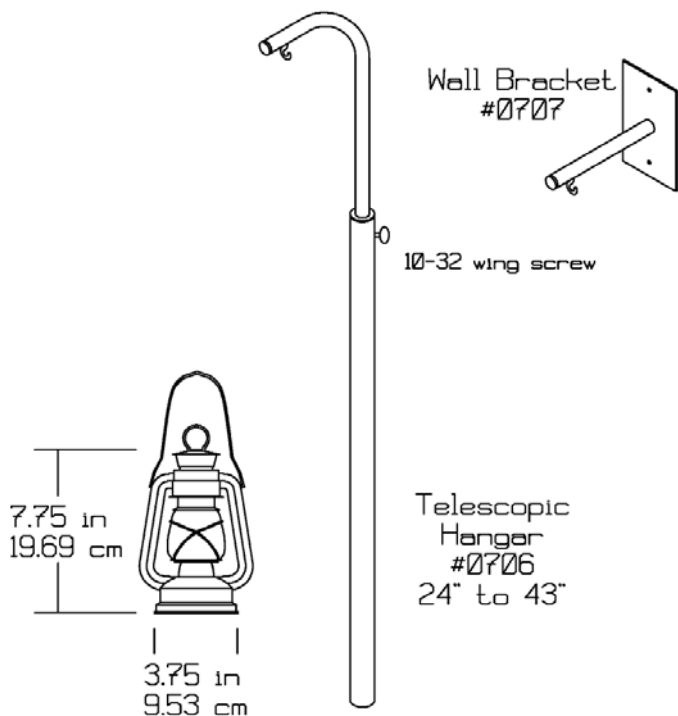
**Accessories:**

**Lens:**  
 NS-PNS-C Clear Globe  
 NS-PNS-S Spread Globe

**Mounting:**  
 0706-1, -7 (Standard)  
 0706-2, -3, -4, -8, -9, -AV, -VP, -W (Optional w/surcharge)

**Wall Bracket:**  
 0707-1, -7 (Standard)  
 0707-2, -3, -4, -8, -9, -AV, -VP, -W (Optional w/surcharge)

**Warranty:** 10-year 'repair or replacement' warranty. \Repair de 10 o \warranty..



STANDARD LAMP PHOTOMETRIC