

Monetliter

BM-0508

- Uplighting
- Spot Lighting
- Architectural Lighting
- Fountain/Statue Lighting
- Dock/Deck Lighting
- Sign Lighting
- Wall Lighting
- Cross Lighting
- Reflective Lighting
- Mirror Lighting



Nightscaping®
1705 E. Colton Avenue
Redlands, California 92374
Tel: (909) 794-2121
Fax: (909) 794-7292
Help Line: (800) 544-4840
E-mail: info@nightscaping.com
<http://www.nightscaping.com>

Uplight tall trees, graze buildings, or backlight distant trees and shrubs with the Nightscaping® Monetliter. Use this fixture anywhere a highly controlled, direct burial uplight is needed. The fixture insert, made of solid cast brass, is adjustable and allows you to precisely position the light produced.

Standard Lamp: BM-0508 -LO2036 (Standard)

Material: **Outer Body:** Black ABS Conduit
Inner Body: Brass
Gimbal Ring: Stainless Steel

Finish: **BM-0508**
Unpainted ABS Black Direct Burial Conduit Outer
Body - Brass Inner
Body (Standard)
BM-0508-1, -2, -3, -4, -7, -8, -9, -AV, -VP, -W
Unpainted ABS Black Direct Burial Conduit Outer Body -
Powder-Coated Inner Body (Optional w/surcharge)

Lens: Clear Tempered Glass (Standard)

Socket: Ceramic G6.35 Bi-Pin

Mounting: Direct Burial (Standard)

Nightscaping®

Monetlitter

BM-0508

Nightcaping

Alternative Lamps: BM-0508 -LO1024*, -LO2006, -LO2012, -LO3512, -LO3520, -LO3540, -LO4208, -LO5012, -LO5024, -LO5038, -LO5055, -LH5024*, -LH5036* (Optional)

* = Surcharge

Lens: BM-0508-LO2036 -S Spread Lens (Optional)

Options: See above indications

Accessories: **Gimbal Ring with Lamp: Replaces existing Monetlitter (BM-0508) MR-16 Assembly to Master-liter MR-16**

MR-0600 -LO2036 (Standard)

MR-0600 -LO1024*, -LO2006, -LO2012, -LO3512, -LO3520, -LO3540, -LO4208, -LO5012, -LO5024, -LO5038, -LO5055, -LH5024*, -LH5036* (Optional)

* = Surcharge

Grates: Fit securely on inside/top of fixture for minimum light output interference but maximum side shielding. Body must be inverted.

GI-0505 -1, -2, -3, -4, -7, -8, -9, -AV, -VP, -W Inner Round Grate - Aluminum

GL-0606-1, -2, -3, -4, -7, -8, -9, -AV, -VP, -W Outer Round Grate - Aluminum

GL-0607-1, -2, -3, -4, -7, -8, -9, -AV, -VP, -W Outer Square Grate - Steel

GL-0607BR Outer Square Grate - Brass

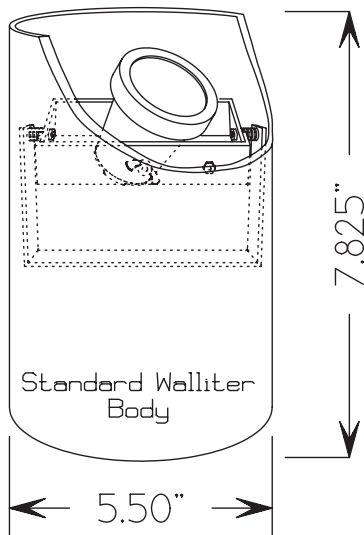
GL-0607BR-1, -2, -3, -4, -7, -8, -9, -AV, -VP, -W Outer Square Grate - Powder-coated Brass

Lens for Inner Body:

NS-OK-C (Standard/Accessory) Clear Lens

NS-OK-S Spread Lens

Warranty: 10-Year 'Repair or Replace' Warranty.



	LO 2036 (BAB) (20W)	42° x 42°
2ft	1'6"	131.3 FC
4ft	3'0"	32.8
6ft	4'7"	14.6
8ft	6'1"	8.2
10ft	7'8"	5.3
12ft	9'2"	3.7
14ft	10'9"	2.7
16ft	12'3"	2.1
18ft	13'9"	1.6
20ft	15'4"	1.3

STANDARD LAMP PHOTOMETRIC

DESIGN TIP*

Do not use plexiglass lens option in combination with narrow beam lamps or lamps in excess of 25 watts.