

Mini Scout

GD-1503CU

Pathlighting
Stairway/Step Lighting
Highlighting
Accent Lighting Downlighting
Deck/Dock Lighting



Nightscaping®
1705 E. Colton Avenue
Redlands, California 92374
Tel: (909) 794-2121
Fax: (909) 794-7292
Help Line: (800) 544-4840
E-mail: info@nightscaping.com
<http://www.nightscaping.com>

Use the Mini Scout anywhere a discreet and durable path or accent light is needed. The Mini Scout, like its larger predecessor, allows you precise control over the light pattern produced. You can concentrate the light in tight circles or larger spreads based on the specific demands of any individual project. The innovative design and copper construction make the Mini Scout an unimposing fixture that will add beauty and visual interest to any landscape, day or night.

Standard Lamp: GD-1503CU -LOQ20 (Standard)

Material: Top/Stem: Copper

Finish: GD-1503 CU (Standard) Copper
GD-1503 CU-V Copper-Verde
GD-1503 CU -1, -2, -3, -4, -7, -8, -9, -AV, -VP, -W
(Optional w/surcharge)

Lens: Clear Pyrex Tubing (Standard)

Socket: Ceramic G4 Bi-Pin

Mounting: Spike Mount (Standard)

Nightscaping®

Mini Scout

GD-1503CU



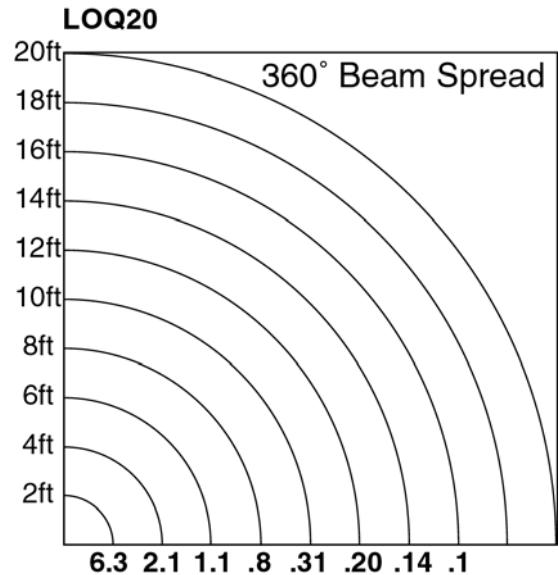
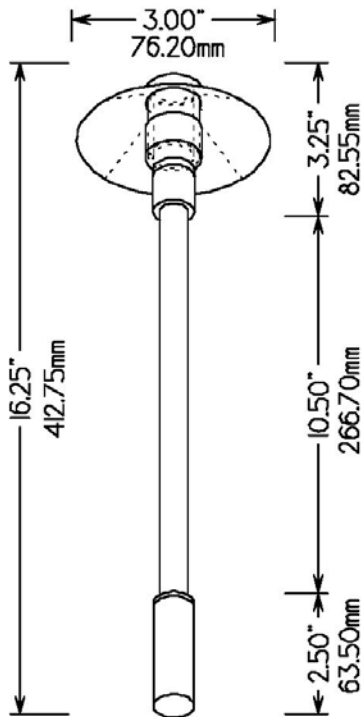
Alternative Lamps: GD-1503CU -LOQ5, -LOQ10, -LOQ35 (Optional)

Options: See above indications

Mounting: GD-1503CU -LOQ20 -CM Conduit Mount with 1/2" male pipe threads. (Factory installed)
 GD-1503CU -LOQ20- FMO Floor Mount - Brass
 GD-1503CU -LOQ20 -S Spread Lens

Accessories: See above indications
 1504-S-CU Shield

Warranty: 10-Year 'Repair or Replace' Warranty.



STANDARD LAMP PHOTOMETRIC