

Minilocator GU-0703

- Uplighting
- Architectural Lighting
- Fountain/Statue Lighting
- Highlighting
- Sign Lighting
- Wall Lighting
- Cross Lighting
- Backlighting
- Spot Lighting
- Reflective Lighting
- Mirror Lighting



Nightscaping®
1705 E. Colton Avenue
Redlands, California 92374
Tel: (909) 794-2121
Fax: (909) 794-7292
Help Line: (800) 544-4840
E-mail: info@nightscaping.com
<http://www.nightscaping.com>

Highlight small plantings, walls, short columns, brick mail boxes, and focal points with the Minilocator. Try this fixture anywhere a small accent light is needed. Available with either a stem or stake mount, this compact fixture can be modified to meet your specifications.

Standard Lamp: GU-0703-1 -LO93 (Standard)

Material: **Body/Stem:** Phosphatized Steel
Also available in Copper

Finish: GU-0703 -1, -7 (Standard)
GU-0703 -2, -3, -4, -8, -9, -AV, -VP, -W
(Optional w/surcharge)
GU-0703 CU Copper
GU-0703 CU-V Copper-Verde

Lens: Clear Single-Strength Glass (Standard)

Socket: Non-corroding polycarbonate (Single-Contact Bayonet)

Mounting: Stem Mount Direct Burial (Standard)

Nightscaping®

Minilocator

GU-0703

Nightcaping

Alternative Lamps: GU-0703-1 -LO1141, -LO1156, -LO1195*, -LO1383*, -LO25*, -LO67, -LO89 (Optional)
 Bi-Pin Lamp: -BD MR16 or LOQ Bi-Pin
 * = Surcharge

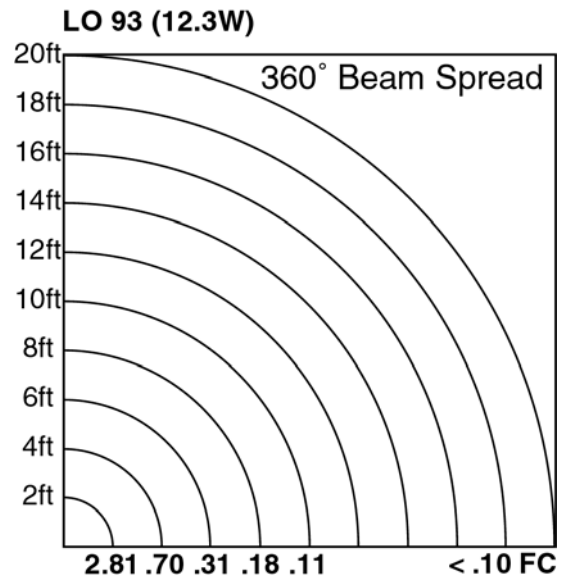
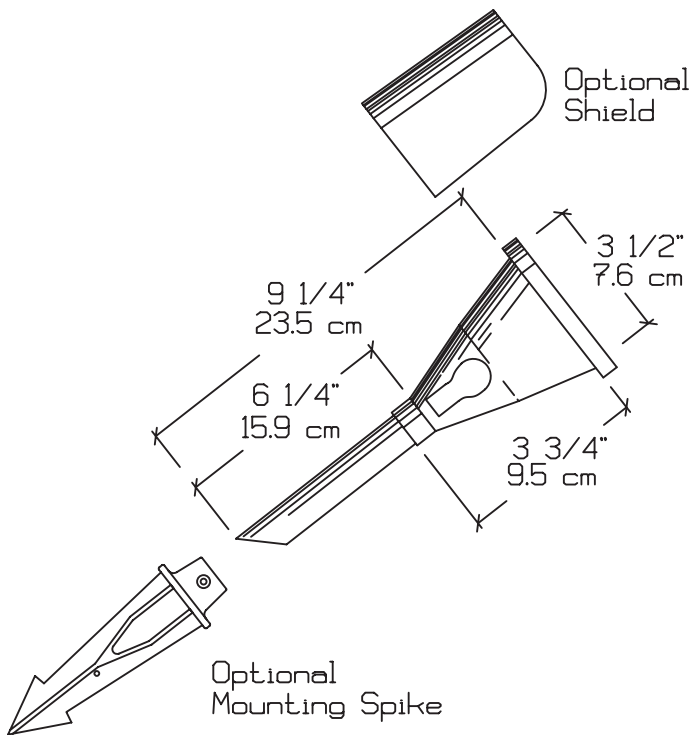
Lens: GU-0703-1-LO93 -A, -B, -G, -MB, -R, -S (Optional)

Mounting Options: GU-0703-1-LO93 -CM (Optional) Conduit Mount with 1/2" male pipe threads. (Factory installed)
 GU-0703-1-LO93 -FMO (Optional) Floor Mount - Aluminum
 GU-0703CU-LO93 -FMO (Optional) Floor Mount - Brass
 GU-0703-1-LO93 -KN (Optional) Knuckle - Brass (Factory installed)
 GU-0703-1-LO93 -GS9 (Optional) Spike - Aluminum
 GU-0703CU-LO93 -GS9 (Optional) Spike - Brass

Options: See above indications

Accessories: **Lens:**
 NS-ML-C Clear Lens
 NS-ML-A, -B, -G, -MB, -R, -S Colored Lens
Light Shield: Used for extra light shielding
 0703-S-1, -2, -3, -4, -7, -8, -9, -AV, -VP, -W (Optional w/surcharge)
 0703-S-CU Copper
 0703-S-CU-V Copper-Verde

Warranty: 10-Year 'Repair or Replace' Warranty.



STANDARD LAMP PHOTOMETRIC