

Magnaliter GU-1265

Uplighting

Backlighting

Reflective Lighting

Architectural Lighting

Sign Lighting

Wall Lighting

Area Lighting

Mirror Lighting

Highlighting

Recreational Lighting



Nightscaping®

1705 E. Colton Avenue
Redlands, California 92374
Tel: (909) 794-2121
Fax: (909) 794-7292
Help Line: (800) 544-4840
E-mail: info@nightscaping.com
<http://www.nightscaping.com>

Use the Nightscaping® Magnaliter as a soft low level accent light or as bright uplight for large structure and trees depending on the bi-pin lamp you specify. The standard, hammered aluminum reflector shield allows you to achieve optimum light output with minimal distortions. Try the Magnaliter for sign and commercial applications wherever general wide spread light, of either low or high concentration, is needed.

Lamp Standard	GU-1265-1	-LOQ20 (Standard)
Material:	Body: Black Fiber-Impregnated Composite	Stem: Aluminum
Finish:	GU-1265	Black Composite (Standard)
Lens:	Clear Tempered (Standard)	
Socket:	Ceramic socket G6.35 Bi-pin	
Mounting:	Spike Mount (Standard)	

Nightscaping®

Magnaliter

GU-1265



Nightscaping

Alternative Lamps:	GU-1265-1	-LOQ5, -LOQ10, -LOQ35 (Optional)
	GU-1265-1	-LOQ50 (Optional w/GY6.35 Socket)

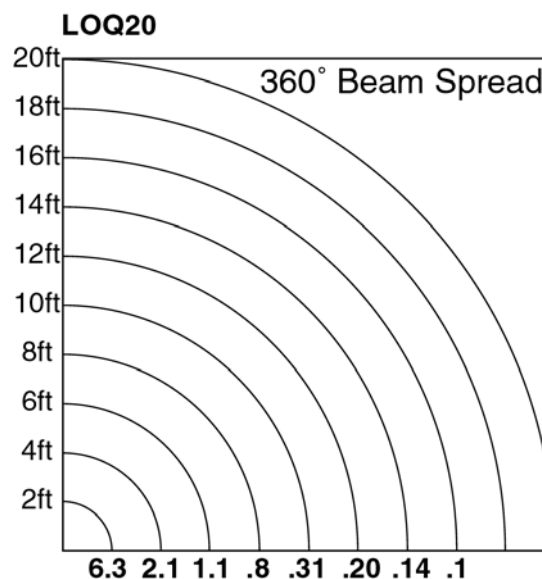
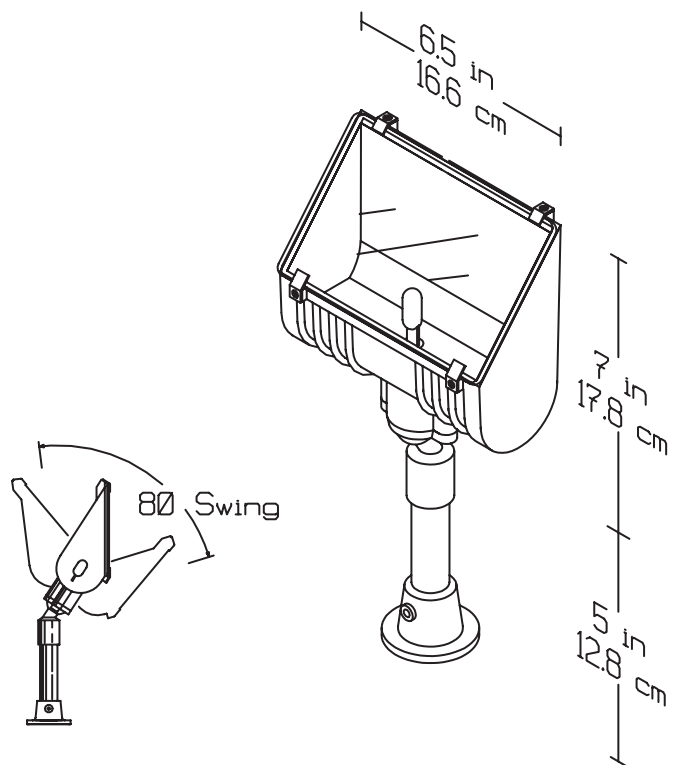
Lens:	Clear Tempered (Standard)	
--------------	---------------------------	--

Mounting	GU-1265-1-LOQ20	-CM (Optional)	Conduit Mount with 1/2" male pipe threads. (Factory installed)
Optional:	GU-1265-1-LOQ20	-FMO (Optional)	Floor Mount - Aluminum

Optional:	See above indications	
------------------	-----------------------	--

Accessories:	Lens:		
	NS-MA-C (Standard/Accessory)		Clear Lens
	NS-MA-S		Spread Lens
	Light Shield: Used for extra light shielding		
	1265-S-1, -2, -3, -4, -7, -8, -9, -AV, -VP, -W (Optional w/surcharge)		
	1265-S-CU		Copper
	1265-S-CU-V		Copper-Verde

Warranty:	10-year 'repair or replacement' warranty. \Repair de 10 o \warranty..	
------------------	---	--



STANDARD LAMP PHOTOMETRIC