

Lipinskiliter GU-6503BR

Uplighting

Spot Lighting

Fountain/Status Lighting

Sign Lighting

Wall Lighting

Cross Lighting

Backlighting

Reflective Lighting

Mirror Lighting

Flood Lighting



Nightscaping®

1705 E. Colton Avenue
Redlands, California 92374
Tel: (909) 794-2121
Fax: (909) 794-7292
Help Line: (800) 544-4840
E-mail: info@nightscaping.com
<http://www.nightscaping.com>

Guarantee quality and function when you specify the solid brass Lipinskiliter. This specification-grade fixture is ideally suited for both commercial and residential projects. The Lipinskiliter will accommodate any Nightscaping® supplied MR-16 lamp, our LO2036 is supplied standard. Equipped with a built-in eyebrow, this fixture will serve as an effective uplight or spotlighting fixture that delivers perfect lighting effects and simultaneously minimizes glare. Backed by Nightscaping's® LIFETIME Guarantee, this durable and versatile uplight will add beauty to any landscape for the life of the lighting system.

Standard Lamp: GU-6503BR -LO2036 (Standard)

Material: Cast Brass

Finish: GU-6503 BR (Standard) Natural Brass
GU-6503 BR-1, -2, -3, -4, -7, -8, -9, -AV, -VP, -W
(Optional w/surcharge)

Lens: Clear Tempered Glass (Standard)

Socket: Ceramic G6.35 Bi-Pin

Mounting: Spike Mount (Standard)

Nightscaping®

Lipinskiliter

GU-6503BR

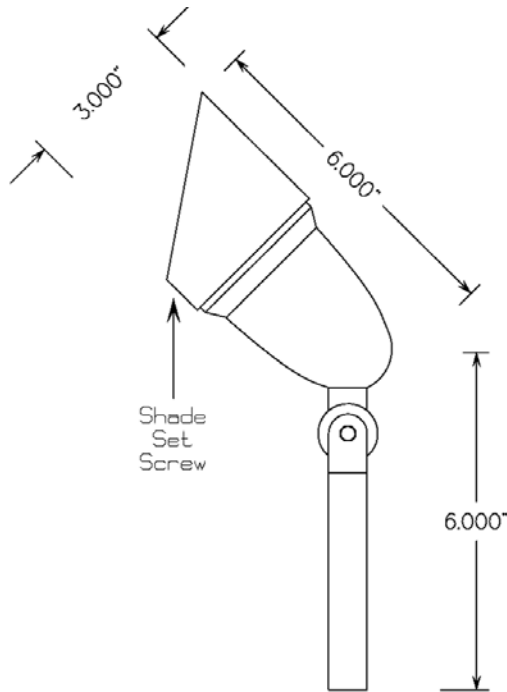
Nightscaping

Alternative Lamps: GU-6503BR -LO1024*, -LO2006, -LO2012, -LO3512, -LO3520, -LO3540, -LO4208, -LO5012, -LO5024, -LO5038, -LO5055, -LH5024*, -LH5036* (Optional)
 * = Surcharge

Options: GU-6503BR -LO2036 -S Spread Lens (Optional)
 See above indications

Accessories: **Lens:**
 NS-OK-C (Standard/Accessory) Clear Lens
 NS-OK-S Spread Lens
Tree Mount: Brass - Tree Mount with 2 Buckles
 1202BR
 1202BR-V
 1202BR-1, -2, -3, -4, -7, -8, -9, -AV, -VP, -W (Optional w/surcharge)

Warranty: LIFE 'Repair or Replace' Warranty.



	LO 2036 (BAB) (20W)	42° x 42°
2ft	1'6"	131.3 FC
4ft	3'0"	32.8
6ft	4'7"	14.6
8ft	6'1"	8.2
10ft	7'8"	5.3
12ft	9'2"	3.7
14ft	10'9"	2.7
16ft	12'3"	2.1
18ft	13'9"	1.6
20ft	15'4"	1.3

STANDARD LAMP PHOTOMETRIC

DESIGN TIP*