

Leveliter DB-0507

Uplighting

Fountain/Statue Lighting

Highlighting

Sign Lighting

Wall Lighting

Backlighting

Reflective Lighting

Architectural Lighting

Mirror Lighting



Nightscaping®

1705 E. Colton Avenue
Redlands, California 92374
Tel: (909) 794-2121
Fax: (909) 794-7292
Help Line: (800) 544-4840
E-mail: info@nightscaping.com
<http://www.nightscaping.com>

Uplight tall trees, graze buildings, and highlight signs with the cast aluminum Leveliter. Compact enough to fit in holes made by a normal posthole digger, this direct burial fixture is both weather and vandal resistant. The versatile MR-16 lamp, sturdy construction, and extensive capabilities make this fixture a favorite of professional designers.

Standard Lamp: DB-0507-1 -LO2036 (Standard)

Material: **Body/Lens Holder:** Cast Aluminum

Finish: DB-0507 -1, -7 (Standard)
DB-0507 -2, -3, -4, -8, -9, -AV, -VP, -W
(Optional w/surcharge)

Lens: Clear Tempered Convex Glass (Standard) - sealed with silicone

Socket: Ceramic G6.35 Bi-Pin

Mounting: Direct Burial (Standard)

Nightscaping®

Leveliter

DB-0507



Lighting Unit
Listed 19FK

Nightscaping

Alternative Lamps: DB-0507-1 -LO1024*, -LO2006, -LO2012, -LO3512, -LO3520, -LO3540, -LO4208, -LO5012, -LO5024, -LO5038, -LO5055, -LH5024*, -LH5036* (Optional)

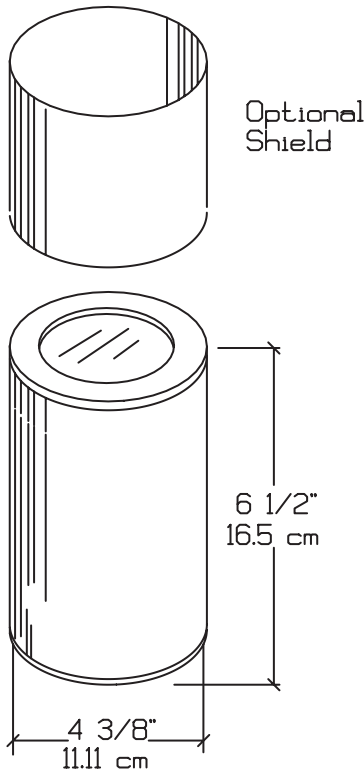
* = Surcharge

Lens: DB-0507-1-LO2036 -A, -B, -G, -R, -S (Optional)

Options: DB-0507-1-LO2036 -CM Conduit Mount

Accessories: **Lens:**
0040-A, -B, -G, -R, -S Colored Lens
HD-MR-CU-R, -B, -G, -A, -S Lens Holder Copper and Lens
Lens Holder w/Lens: (Specify Powder Coating and Lens Color)
HD-LV-1, -7 -C
HD-LV-2, -3, -4, -8, -9, -AV, -VP, -W
Light Shield - ABS:
0507-S

Warranty: 10-Year 'Repair or Replace' Warranty.



	LO 2036 (BAB) (20W)	42° x 42°
2ft	1'6"	131.3 FC
4ft	3'0"	32.8
6ft	4'7"	14.6
8ft	6'1"	8.2
10ft	7'8"	5.3
12ft	9'2"	3.7
14ft	10'9"	2.7
16ft	12'3"	2.1
18ft	13'9"	1.6
20ft	15'4"	1.3

STANDARD LAMP PHOTOMETRIC