



# Juliet-liter

## GU-4503



*Nightscaping*

**Alternative Lamps:** GU-4503-1 -LO2006, -LO2012, -LO3512, -LO3520, -LO3540, -LO4208, -LO5012, -LO5024, -LO5038, -LO5055, (Optional)  
LO2060\*, LO5060\*, LO3560\*

\* = Surcharge

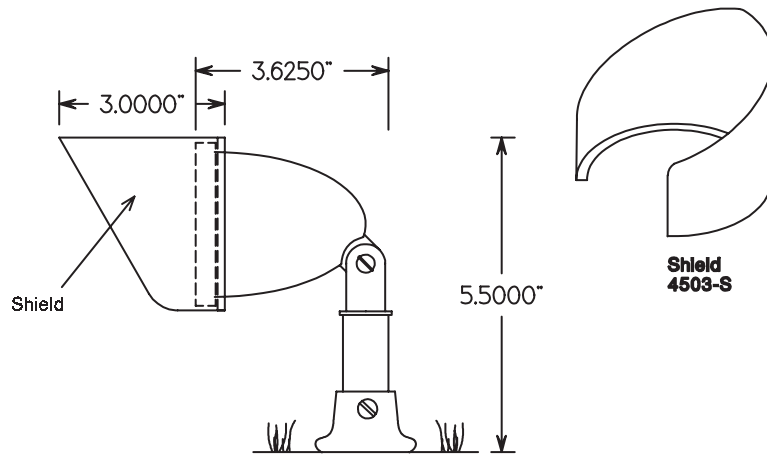
**Lens:** GU-4503-1-LO2036 -A, -B, -G, -MB, -R, -S (Optional)

**Mounting Options:**  
 GU-4503-1-LO2036 -TKN (Optional) Threaded 1/2" Knuckle with Tree Bracket  
 GU-4503-1-LO2036 -CM (Optional) Conduit Mount with 1/2" male pipe threads. (Factory installed)  
 GU-4503-1-LO2036 -FMO (Optional) Floor Mount - Aluminum

**Options:** See above indications

**Accessories:**  
**Light Shield:** Used for extra light shielding  
 4503-S-1, -7  
 4503-S-2, -3, -4, -8, -9, -AV, -VP, -W (Optional w/surcharge)  
**Lens:**  
 NS-JU-C (Standard/Accessory) Clear Lens  
 NS-JU-A, -B, -G, -MB, -R, -S Colored Lens  
**Tree Bracket:**  
 1202-1, -7 Steel  
 1202-2, -3, -4, -8, -9, -AV, -VP, -W (Optional w/surcharge)

**Warranty:** 10-Year 'Repair or Replace' Warranty.



	LO 2036 (BAB) (20W)	42° x 42°
2ft	1'6"	131.3 FC
4ft	3'0"	32.8
6ft	4'7"	14.6
8ft	6'1"	8.2
10ft	7'8"	5.3
12ft	9'2"	3.7
14ft	10'9"	2.7
16ft	12'3"	2.1
18ft	13'9"	1.6
20ft	15'4"	1.3

STANDARD LAMP PHOTOMETRIC