

Integraliter GD-0402

Architectural Lighting

Deck/Dock Lighting

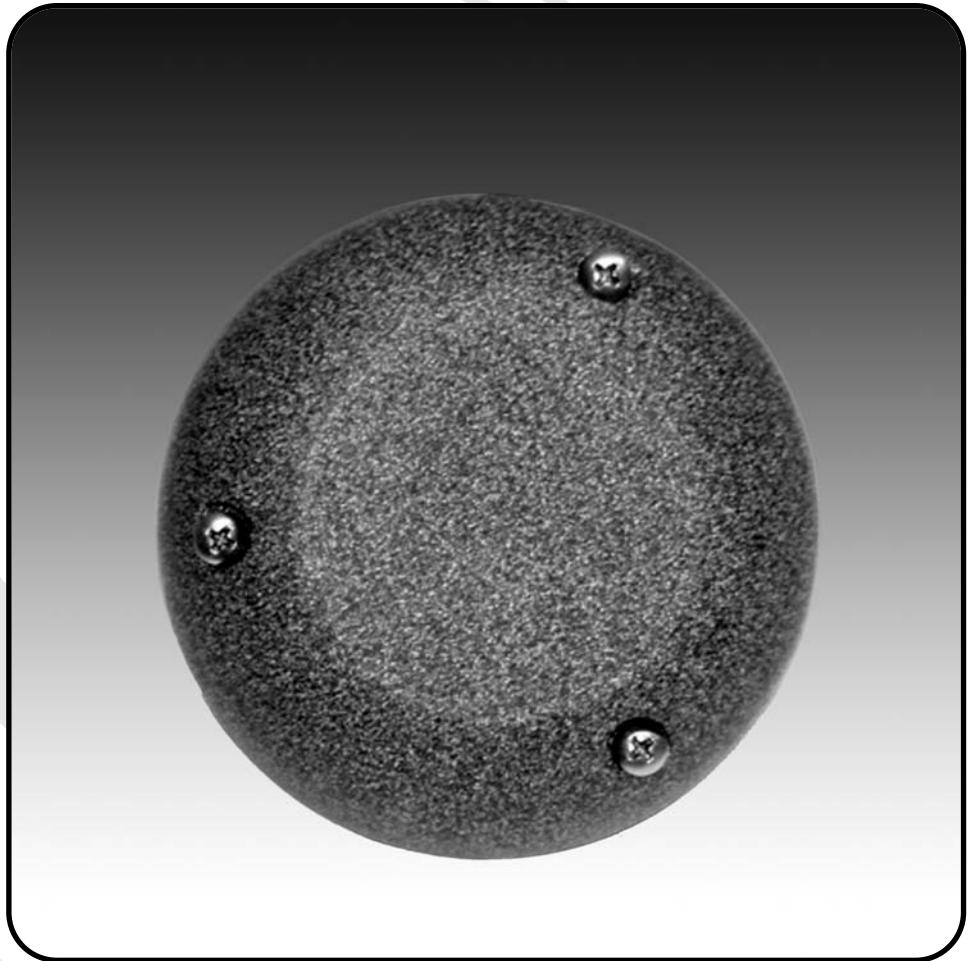
Pathlighting

Backlighting

Reflective Lighting

Wall Lighting

Stairway/Step Lighting



Nightscaping®

1705 E. Colton Avenue
Redlands, California 92374
Tel: (909) 794-2121
Fax: (909) 794-7292
Help Line: (800) 544-4840
E-mail: info@nightscaping.com
<http://www.nightscaping.com>

Use the Nightscaping® Integraliter as a ground mounted pathlighting, a wall sconce with a 360 degree spread, or on handrails and ledges that require specific safety lighting. The Integraliter is also a perfect low-profile light source for your projects that feature decks and docks. The Integraliter's compact design makes this a very unobtrusive yet highly functional fixture you can use for multiple landscape, architectural, deck and dock lighting applications.

Lamp Standard	GD-0402-1	-LOQ20 (Standard)
Material:	Top: Cast Aluminum	Mount Plate: Stainless Steel
Finish:	GD-0402	-1, -7 (Standard)
	GD-0402	-2, -3, -4, -8, -9, -AV, -VP, -W (Optional w/surcharge)
Lens:	Sprinkler Shield:	Keeps water away from lamp.
Socket:	Ceramic G4 Bi-Pin	
Mounting:	Key-hole Slot Mount (Standard)	

Nightscaping®

Integraliter

GD-0402



Nightscaping

Alternative Lamps: GD-0402-1 -LOQ5, -LOQ10, -LOQ35 (Optional)

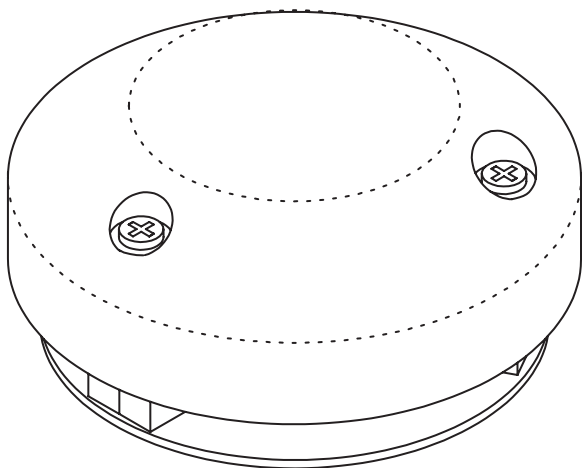
Lens: WS-0301-C (Standard/Accessory) Clear Sprinkler Shield
 WS-0301-A, -B, -G, -R, -S (Accessory) Colored Sprinkler Shield

Optional: See above indications

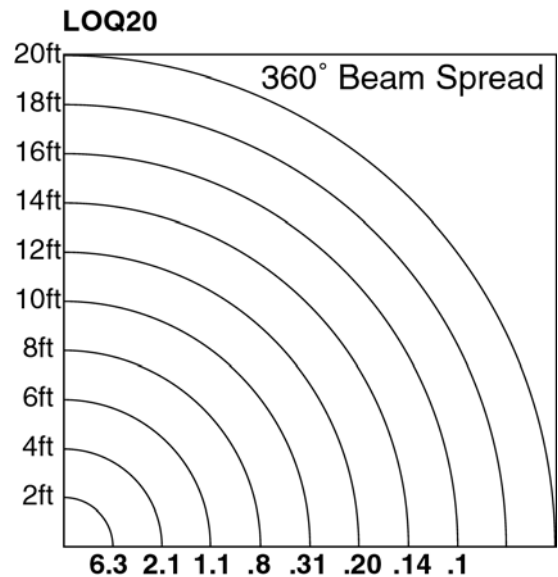
Accessories: See above indications

Warranty: 10-year 'repair or replacement' warranty. \Repair de 10 o \warranty..

4.50"



2.10"



STANDARD LAMP PHOTOMETRIC