

Infinityliter AD-1309

Pathlighting

Stairway/Step Lighting

Downlighting

Highlighting

Deck/Dock Lighting



Nightscaping®

1705 E. Colton Avenue
Redlands, California 92374
Tel: (909) 794-2121
Fax: (909) 794-7292
Help Line: (800) 544-4840
E-mail: info@nightscaping.com
<http://www.nightscaping.com>

Throw light virtually to infinity with your choice of 90, 180, or 360 degree beam patterns when you specify the Infinityliter. With its cast aluminum top and built in shield that extends lamp life and maximizes light output, the Infinityliter offers you a durable and attractive lighting solution for multiple landscape applications.

Standard Lamp: AD-1309-1 -LOQ20 (Standard)

Material: **Top:** Cast Aluminum.
Stem: Aluminum

Finish: AD-1309 -1, -7 (Standard)
AD-1309 -2, -3, -4, -8, -9, -AV, -VP, -W
(Optional w/surcharge)

Lens: **Sprinkler Shield:** Keeps water away from lamp.

Socket: Ceramic GY4 Pin

Mounting: Spike Mount (Standard)

Nightscaping®

Infinityliter

AD-1309



Nightscaping[®]

Alternative Lamps: AD-1309-1 -LOQ5, -LOQ10, -LOQ35 (Max) (Optional)

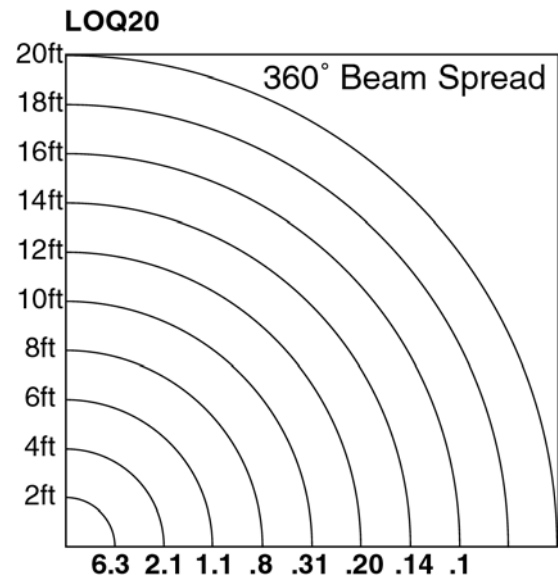
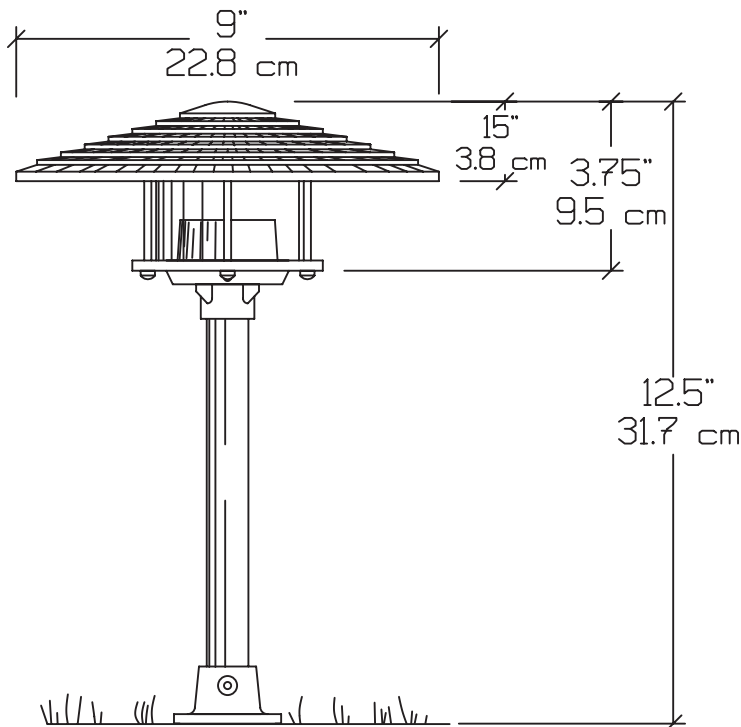
Lens: WS-0302-C (Standard/Accessory) Clear Sprinkler Shield
 WS-0302-S (Accessory) Spread Sprinkler Shield

Mounting Options: AD-1309-1-LOQ20 -CM (Optional) Conduit Mount with 1/2" male pipe threads. (Factory installed)
 AD-1309-1-LOQ20 -FMO (Optional) Floor Mount - Aluminum

Options: See above indications

Accessories: See above indications
Light Shield: Cuts side light when lamp must be exposed to view.
 1309-S90 90° Shield
 1309-S180 180° Shield
 1309-S270 270° Shield
 1309-S360 360° Shield

Warranty: 10-Year 'Repair or Replace' Warranty.



STANDARD LAMP PHOTOMETRIC

DESIGN TIP*

The Infinityliter is great for throwing a wide pattern of low-profile light across a driveway.