

# Illuminator GD-2612

Pathlighting

Stairway/Step Lighting

Downlighting

Highlighting

Deck/Dock Lighting



## Nightscaping®

1705 E. Colton Avenue  
Redlands, California 92374  
Tel: (909) 794-2121  
Fax: (909) 794-7292  
Help Line: (800) 544-4840  
E-mail: [info@nightscaping.com](mailto:info@nightscaping.com)  
<http://www.nightscaping.com>

Light large areas in the landscape with the Nightscaping® Illuminator. Standing nearly two feet tall the Illuminator casts a circle of light 15 feet in diameter. Lighting driveways, long flights of steps, terraces, and parking area borders are all ideal applications for this proven Nightscaping® fixture.

**Standard Lamp:** GD-2612-1 -LO1156 (Standard)

**Material:** **Top/Stem:** Stainless Steel  
Also available in Copper

**Finish:** GD-2612 -1, -7 (Standard)  
GD-2612 -2, -3, -4, -8, -9, -AV, -VP, -W  
(Optional w/surcharge)  
GD-2612 CU Copper  
GD-2612 CU-V Copper-Verde

**Lens:** WS-0304-C (Standard/Accessory) Clear Sprinkler Shield  
**Sprinkler Shield:** Keeps water away from lamp.

**Socket:** Non-corroding polycarbonate (Single-Contact Bayonet)

**Mounting:** Spike Mount (Standard)

*Nightscaping®*

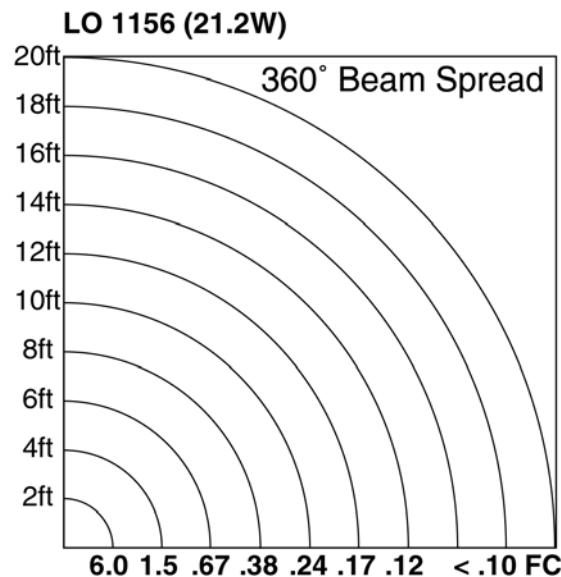
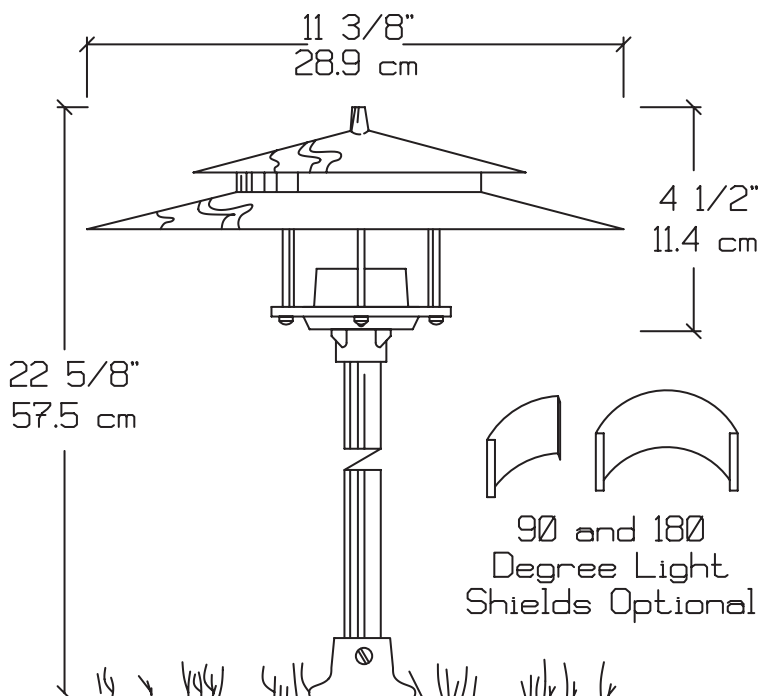
# Illuminator

## GD-2612



*Nightscaping*<sup>®</sup>

<b>Alternative Lamps:</b>	GD-2612-1 BI-Pin Lamp: * = Surcharge	-LO1141, -LO1156, -LO67, -LO89 (Optional) -BD -LOQ5*, -LOQ10*, -LOQ20* (Max)	
<b>Lens:</b>	WS-0304-C (Standard/Accessory) WS-0304-A, -B, -G, -R, -S (Accessory)	Clear Sprinkler Shield Spread Sprinkler Shield	
<b>Mounting Options:</b>	GD-2612-1-LO93 GD-2612-1-LO93 GD-2612CU-LO93	-CM (Optional) -FMO (Optional) -FMO (Optional)	Conduit Mount with 1/2" male pipe threads. (Factory installed) Floor Mount - Aluminum Floor Mount - Brass
<b>Options:</b>	See above indications <b>Stems (Steel/Copper):</b> GD-2612-1-LO93 GD-2612-1-LO93	-H04 -H08	14" shorter stem (9" total fixture height) 10" shorter stem (13" total fixture height)
<b>Accessories:</b>	<b>Light Shield:</b> Cuts side light when lamp must be exposed to view. 1309-S90                   90° Shield 1309-S180                 180° Shield 1309-S270                 270° Shield		
<b>Warranty:</b>	10-Year 'Repair or Replace' Warranty.		



STANDARD LAMP PHOTOMETRIC