

# Hiliter GU-1109

Uplighting  
Backlighting  
Reflective Lighting  
Architectural Lighting  
Highlighting  
Wall Lighting  
Mirror Lighting  
Sign Lighting



**Nightscaping®**  
1705 E. Colton Avenue  
Redlands, California 92374  
Tel: (909) 794-2121  
Fax: (909) 794-7292  
Help Line: (800) 544-4840  
E-mail: [info@nightscaping.com](mailto:info@nightscaping.com)  
<http://www.nightscaping.com>

Cast a soft, even light pattern on specific landscape subjects with the Nightscaping® brand Hiliter. The Hiliter's hood pivots on an adjustable locking toothed knuckle for precise aiming so that you can achieve the best lighting scene possible. Featuring a frosted moonstone lens, this fixture is best suited for backlighting applications that call for subtle, tranquil effects.

<b>Lamp Standard</b>	GU-1109-1	-LO1156 (Standard)
<b>Material:</b>	<b>Top/Stem:</b> Stainless Steel Also available in Copper	
<b>Finish:</b>	GU-1109	-1, -7 (Standard)
	GU-1109	-2, -3, -4, -8, -9, -AV, -VP, -W (Optional w/surcharge)
	GU-1109	CU Copper
	GU-1109	CU-V Copper-Verde
<b>Lens:</b>	Opaque Moonstone Glass (Standard)	
<b>Socket:</b>	Non-corroding polycarbonate (Single-Contact Bayonet)	
<b>Mounting:</b>	Spike Mount (Standard)	

*Nightscaping®*

# Hiliter

## GU-1109



*Nightscaping*

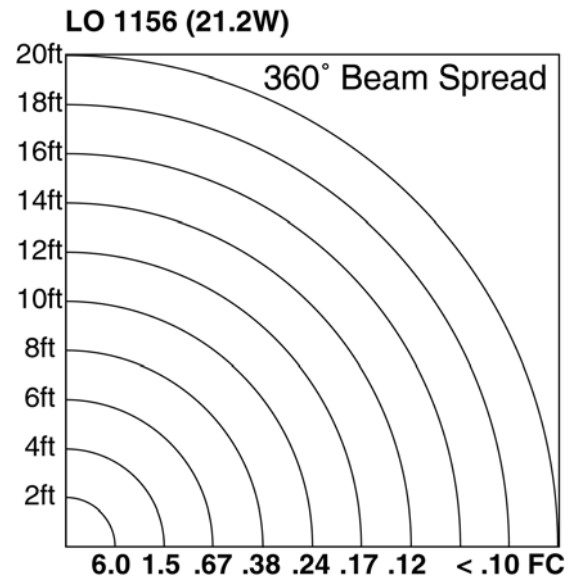
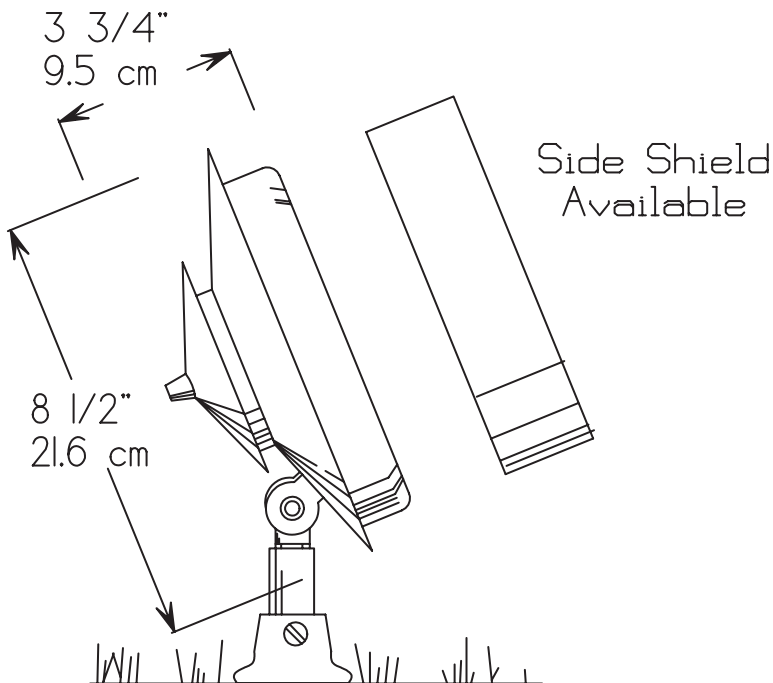
**Alternative Lamps:** GU-1109-1 -LO1141, -LO1195\*, -LO67, -LO89, -LO93 (Optional)  
 \* = Surcharge

**Mounting Optional:** GU-1109-1-LO1156 -CM (Optional) Conduit Mount with 1/2" male pipe threads. (Factory installed)  
 GU-1109-1-LO1156 -FMO (Optional) Floor Mount - Aluminum  
 GU-1109CU-LO1156 -FMO (Optional) Floor Mount - Brass

**Optional:** See above indications

**Accessories:** **Lens:** NS-MN (Standard/Accessory) Opaque Moonstone Lens  
**Light Shield:** Attaches to rim. Used for extra light shielding  
 1109-S-1, -2, -3, -4, -7, -8, -9, -AV, -VP, -W (Optional w/surcharge)  
 1109-S-CU Copper  
 1109-S-CU-V Copper-Verde

**Warranty:** 10-year 'repair or replacement' warranty. \Repair de 10 o \warranty..



STANDARD LAMP PHOTOMETRIC