

Flowerliter GD-2806

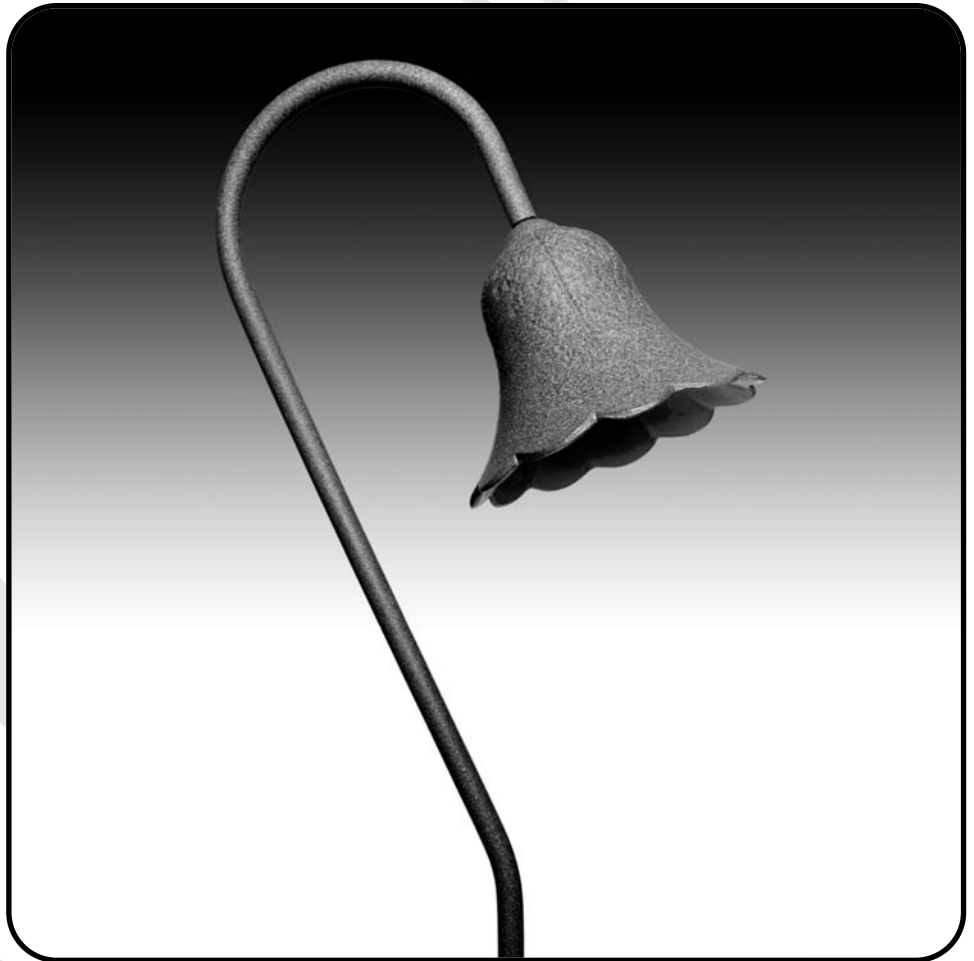
Pathlighting

Stairway/Step Lighting

Downlighting

Highlighting

Recreational Lighting



Nightscaping®

1705 E. Colton Avenue
Redlands, California 92374
Tel: (909) 794-2121
Fax: (909) 794-7292
Help Line: (800) 544-4840
E-mail: info@nightscaping.com
<http://www.nightscaping.com>

Need an attractive planter or walkway fixture for medium to large size beds and walkways? Try the Nightscaping® brand Flowerliter. It projects a fifteen foot circle of light and is guaranteed to add a graceful floral style to any outdoor setting.

Standard Lamp: GD-2806-1 -LO93 (Standard)

Material: **Top:** Cast Aluminum
Stem: Phosphatized Steel

Finish: GD-2806 -1, -7 (Standard)
GD-2806 -2, -3, -4, -8, -9, -AV, -VP, -W
(Optional w/surcharge)

Socket: Non-corroding polycarbonate (Single-Contact Bayonet)

Mounting: Spike Mount (Standard)

Nightscaping®

Flowerliter

GD-2806

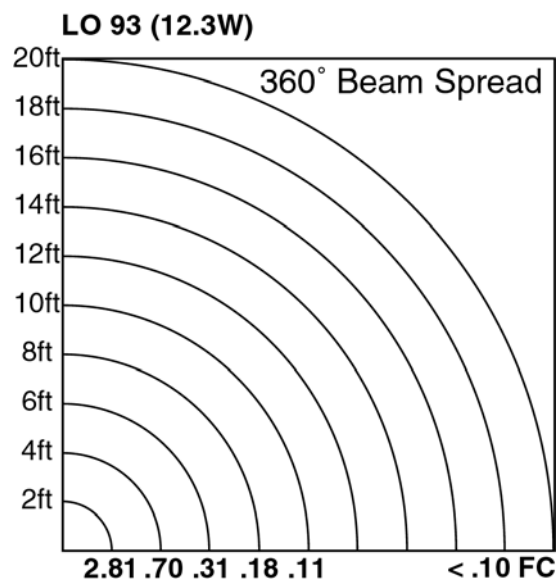
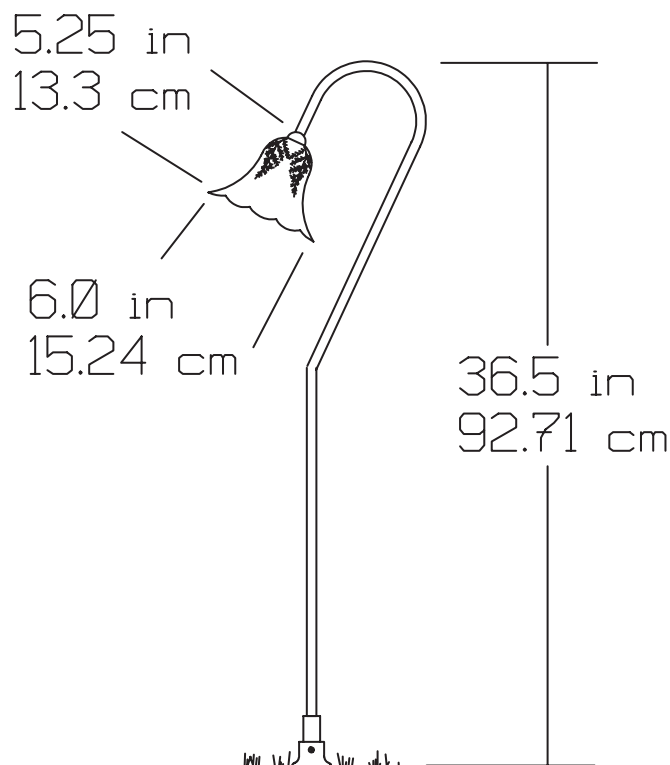
Nightscaping[®]

Alternative Lamps: GD-2806-1 -LO1141, -LO1156, -LO67, -LO89 (Optional)

Mounting Options: GD-2806-1-LO93 -CM (Optional) Conduit Mount with 1/2" male pipe threads. (Factory installed)
GD-2806-1-LO93 -FMO (Optional) Floor Mount - Aluminum

Options: See above indications

Warranty 10-Year 'Repair or Replace' Warranty.



STANDARD LAMP PHOTOMETRIC

DESIGN TIP*

The Flowerliter is great for home putting greens and driveways.