

Fernliter TD-0606

Downlighting

Architectural Lighting

Patio/Gazebo Lighting

Recreational Lighting

Area Lighting

Highlighting

Wall Lighting

Moonlighting



Nightscaping®

1705 E. Colton Avenue
Redlands, California 92374
Tel: (909) 794-2121
Fax: (909) 794-7292
Help Line: (800) 544-4840
E-mail: info@nightscaping.com
<http://www.nightscaping.com>

Hang the Fernliter from small trees, overhangs and garden structures for soft downlighting effects. The standard 12.3 watt bayonet lamp will project a circle of light that dances in the breeze. The decorative fern pattern cast into the fixture adds further visual interest to the Fernliter allowing it to compliment the landscape both day and night.

Lamp Standard TD-0606-1 -LO93 (Standard)

Material: **Bell:** Cast Aluminum

Finish: TD-0606 -1, -7 (Standard)
TD-0606 -2, -3, -4, -8, -9, -AV, -VP, -W
(Optional w/surcharge)

Socket: Non-corroding polycarbonate (Single-Contact Bayonet)

Mounting: Hole at top of Bell for Hanging (Standard) - Use cable, jack-chain or monofilament line to hang.

Nightscaping®

Fernliter

TD-0606

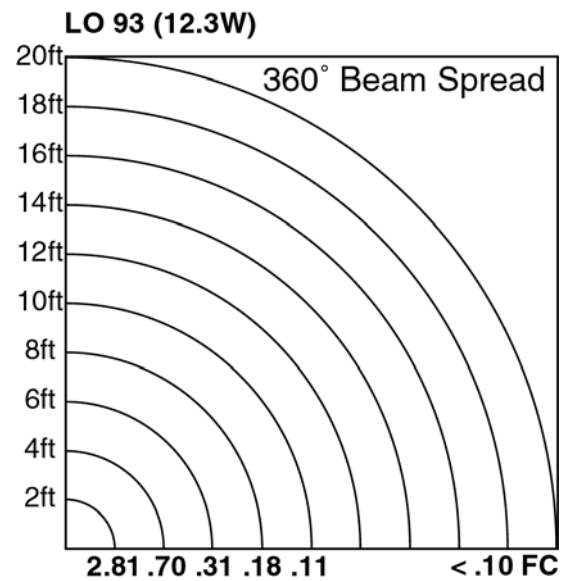
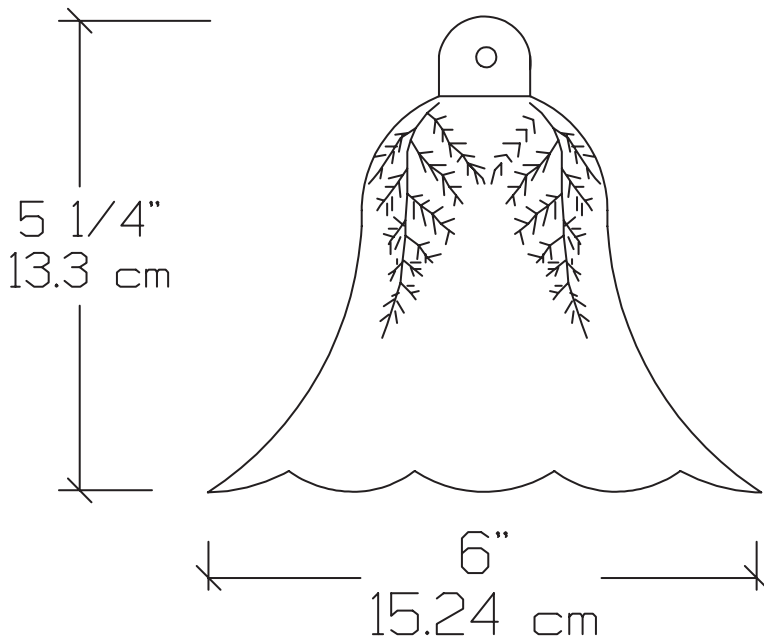


Nightscaping

Alternative Lamps: TD-0606-1 -LO1141, -LO1156, -LO67, -LO89 (Optional)

Optional: See above indications

Warranty: 10-year 'repair or replacement' warranty. \Repair de 10 o \warranty.



STANDARD LAMP PHOTOMETRIC