

Dial-A-Lite WM-0604

Downlighting

Pathlighting

Architectural Lighting

Patio/Gazebo Lighting

Deck/Dock Lighting

Wall Lighting

Stairway/Step Lighting

Backlighting

Reflective Lighting

Recreational Lighting



Nightscaping®

1705 E. Colton Avenue
Redlands, California 92374
Tel: (909) 794-2121
Fax: (909) 794-7292
Help Line: (800) 544-4840
E-mail: info@nightscaping.com
<http://www.nightscaping.com>

Adjust, control and position the light produced by the Nightscaping® brand Dial-A-Lite with a single turn of the body dial. Perfect for mounting on posts or piling, the Dial-A-Lite is a designer's choice for highlighting decks, docks, step or stairs and any other general safety or traverse lighting application.

Standard Lamp: WM-0604-1 -LO912 (Standard)

Material: **Body/Base:** Cast Aluminum

Finish: WM-0604 -1, -7 (Standard)
WM-0604 -2, -3, -4, -8, -9, -AV, -VP, -W
(Optional w/surcharge)

Lens: Clear Tempered Glass (Standard)

Socket: Non-corroding Noryl™ (Wedge Base)

Mounting: Direct Surface Mount (Standard)

Nightscaping®

Dial-A-Lite

WM-0604



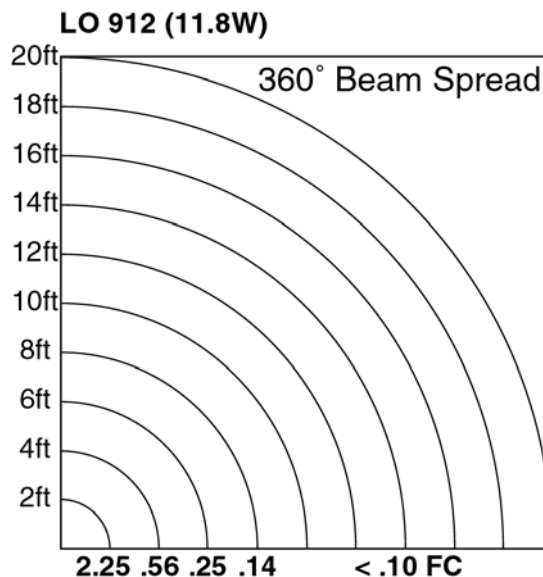
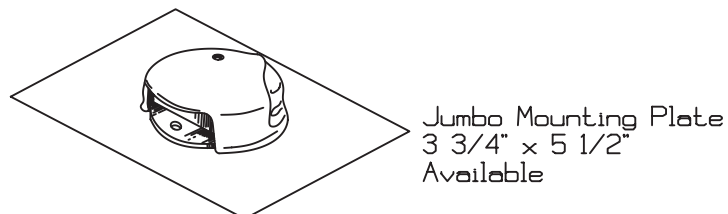
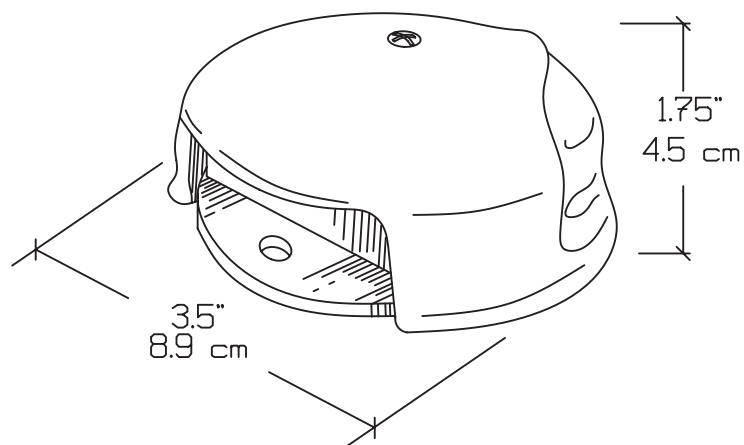
Nightscaping[®]

Alternative Lamps: WM-0604-1 -LO904, -LO906, -LO921 (Optional)
 Bi-Pin Lamp: -LOQ5*, -LOQ10*, -LOQ20* (Max)
 * = Surcharge

Options: See above indications
Mount Plate:
 WM-0604-1-LO912 -JP Jumbo base plate - 3 3/4"x5 1/2". Replaces Standard Plate.
 WM-0604-1-LO912 -S Spread Lens (Optional w/surcharge)

Accessories: See above indications
Jumbo Base Plate: (Sold separately)
 0351M -1, -7 (Standard)
 0351M -2, -3, -4, -8, -9, -AV, -VP, -W (Optional w/surcharge)
Lens:
 NS-DI -C (Standard/Accessory) Clear
 NS-DI -S (Accessory) Spread

Warranty: 10-Year 'Repair or Replace' Warranty.



STANDARD LAMP PHOTOMETRIC