

# Deckliter TD-0402

Downlighting

Architectural Lighting

Patio/Gazebo Lighting

Moonlighting

Reflective Lighting

Area Lighting

Wall Lighting

Recreational Lighting



## Nightscaping®

1705 E. Colton Avenue  
Redlands, California 92374  
Tel: (909) 794-2121  
Fax: (909) 794-7292  
Help Line: (800) 544-4840  
E-mail: [info@nightscaping.com](mailto:info@nightscaping.com)  
<http://www.nightscaping.com>

Suspend the Deckliter from eaves or an overhead trellis to simulate natural moonlight. The Deckliter's perforated body will lend subtle sparkles and visual interest as well as functional downlighting to any deck or patio area.

**Lamp Standard** TD-0402-1 -LO93 (Standard)

**Material:** **Top:** Phosphatized Steel  
**Body:** Perforated Phosphatized Steel  
Also available in Copper

**Finish:** TD-0402 -1, -7 (Standard)  
TD-0402 -2, -3, -4, -8, -9, -AV, -VP, -W  
(Optional w/surcharge)  
TD-0402 CU Copper  
TD-0402 CU-V Copper-Verde

**Socket:** Non-corroding polycarbonate (Single-Contact Bayonet)

**Mounting:** Hanging Finial (Standard)

*Nightscaping®*

# Deckliter

TD-0402



Lighting Unit  
Listed 19FK

*Nightscaping*

**Alternative Lamps:** TD-0402-1 -LO1141, -LO1156, -LO67, -LO89 (Optional)

**Optional:** See above indications

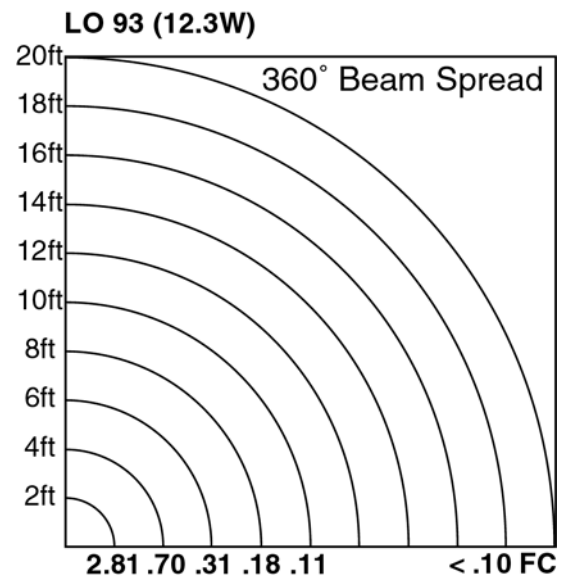
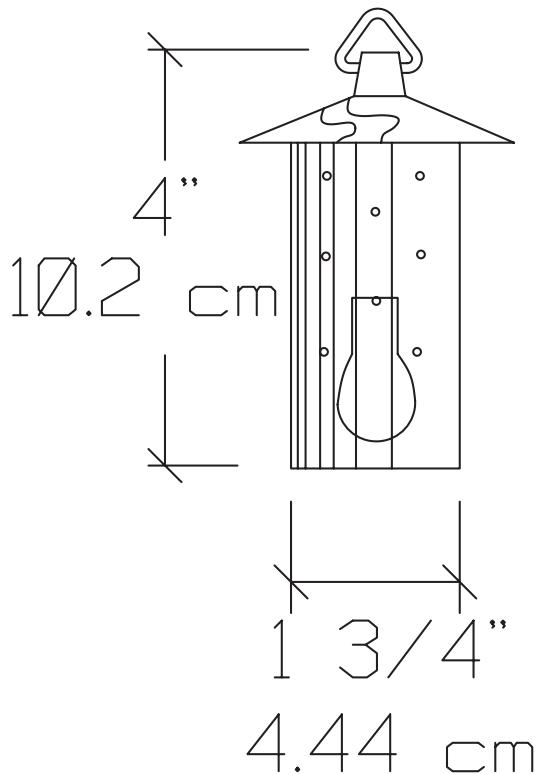
**Body:**

TD-0402-1-LO93 -NH No body perforations.

**Interior Finish:** Gives effect of white light coming from a colored source.

TD-0402-1-LO93 -INT-A, -B, -G, -R Colored interior instead of white

**Warranty:** 10-year 'repair or replacement' warranty. \Repair de 10 o \warranty..



STANDARD LAMP PHOTOMETRIC

## DESIGN TIP\*

Use in tress or under eaves and deck rails.