

Copper Postliter WM-3535CU

Pathlighting
Downlighting
Backlighting
Architectural Lighting
Patio/Gazebo Lighting
Wall Lighting
Stairway/Step Lighting
Reflective Lighting
Highlighting
Deck/Dock Lighting
Recreational Lighting



Nightscaping®
1705 E. Colton Avenue
Redlands, California 92374
Tel: (909) 794-2121
Fax: (909) 794-7292
Help Line: (800) 544-4840
E-mail: info@nightscaping.com
<http://www.nightscaping.com>

Lend safety and traverse lighting to steps, walkways, decks and docks with the Nightscaping® Copper Postliter. Built specifically for this type of construction, the Copper Postliter offers slightly more shielding than its aluminum counterpart. See Postliter (WM-3535) for further details.

Standard Lamp: WM-3535CU -LO921 (Standard)

Material: Solid Copper

Finish: WM-3535 CU (Standard) Copper
WM-3535 CU-V Copper-Verde
WM-3535 -1, -7, -W
WM-3535 -2, -3, -4, -8, -9, -AV, -VP (Optional w/surcharge)

Socket: Non-corroding Noryl™ (Wedge Base)

Mounting: Key-hole Slot Mount (Standard)

Nightscaping®

Copper Postliter

WM-3535CU

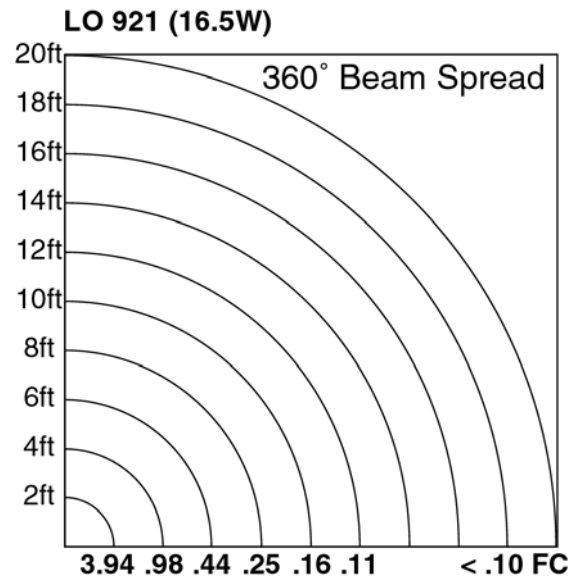
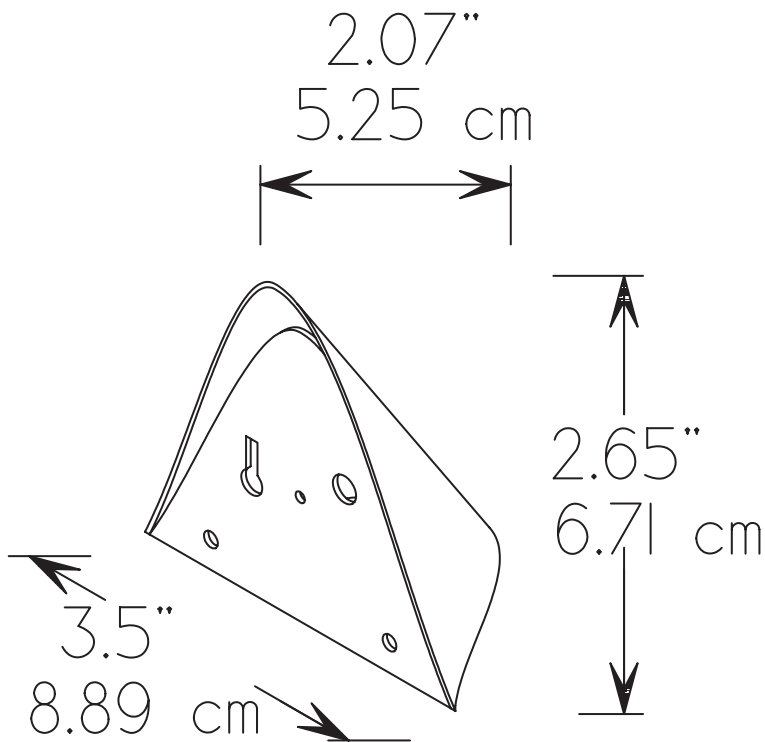
Nightscaping[®]

Alternative Lamps: WM-3535CU -LO904, -LO906, -LO912 (Optional)

Mounting Options: Key-hole Slot Mount (Standard)

Options: See above indications

Warranty: 10-Year 'Repair or Replace' Warranty.



STANDARD LAMP PHOTOMETRIC