

# Clayliter (open) DB-0902CU

Uplighting

Spot Lighting

Fountain/Statue Lighting

Highlighting

Sign Lighting

Wall Lighting

Backlighting

Reflective Lighting

Architectural Lighting

Mirror Lighting



## Nightscaping®

1705 E. Colton Avenue  
Redlands, California 92374  
Tel: (909) 794-2121  
Fax: (909) 794-7292  
Help Line: (800) 544-4840  
E-mail: [info@nightscaping.com](mailto:info@nightscaping.com)  
<http://www.nightscaping.com>

Solve fixture visibility problems with the open, copper Clayliter. Consisting of a cylinder closed at one end by a tempered glass lens with available honeycomb louvered side shielding, and an integrated spike at the opposite end, this fixture allows for a fast and easy push-in installation.

**Standard Lamp:** DB-0902CU -LO2036 (Standard)

**Material:** **Body:** Copper

**Finish:** DB-0902 CU (Standard) Copper  
DB-0902 CU-V Copper-Verde  
DB-0902 CU-1, -2, -3, -4, -7, -8, -9, -AV, -VP, -W  
(Optional w/surcharge)

**Lens:** Clear Pyrex Lens (Standard) - sealed with silicone

**Socket:** Ceramic G6.35 Bi-Pin

**Mounting:** Direct Burial (Standard)

*Nightscaping®*

# Claylter (open)

## DB-0902CU



*Nightscaping*

<b>Alternative Lamps:</b>	DB-0902CU	-LO1024*, -LO2006, -LO2012, -LO3512, -LO3520, -LO3540, -LO4208, -LO5012, -LO5024, -LO5038, -LO5055, -LH5024*, -LH5036* (Optional)
	BB-0802CU	-LO1141, -LO1156, -LO67, -LO89 (SCB Lamp Option* = Surcharge)
	BB-0802CU	-LO93 (SCB Lamp Option)

**Lens:** DB-0802CU-LO2036 -A, -B, -G, -MB, -R, -S (Optional)

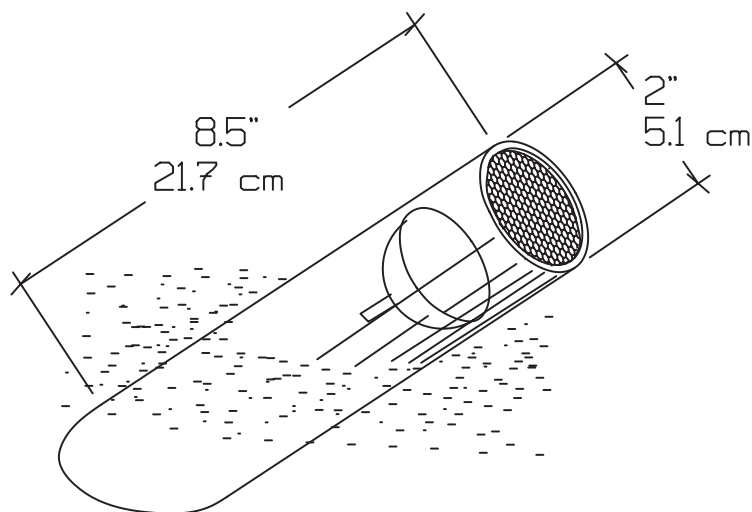
**Options:** -RT Removable Top

**Options:** See above indications

**Accessories:**

<b>Lens:</b>	NS-CU-C (Standard/Accessory)	Clear Lens
	NS-CU-A, -B, -G, -MB, -R, -S	Colored Lens
<b>Light Shield: Used for extra light shielding</b>	0602-S-CU	Copper
	0602-S-CU-V	Copper-Verde
	0602-S-CU-1, -2, -3, -4, -7, -8, -9, -AV, -VP, -W (Optional w/surcharge)	
<b>Louvre:</b>	LR-0202	Round 1/8" Black Louvre - Steel

**Warranty:** 10-Year 'Repair or Replace' Warranty.



	<b>LO 2036 (BAB) (20W)</b>	<b>42° x 42°</b>
2ft	1'6"	131.3 FC
4ft	3'0"	32.8
6ft	4'7"	14.6
8ft	6'1"	8.2
10ft	7'8"	5.3
12ft	9'2"	3.7
14ft	10'9"	2.7
16ft	12'3"	2.1
18ft	13'9"	1.6
20ft	15'4"	1.3

STANDARD LAMP PHOTOMETRIC

### DESIGN TIP\*

This compact fixture is great for uplighting in small planters and pots.