

# Bruteliter

GU-0865BR

Uplighting  
Architectural Lighting  
Deck/Dock Lighting  
Backlighting  
Stairway/step Lighting



**NIGHTSCAPING®**  
1705 E. Colton Avenue  
Redlands, California 92374  
Tel: (909) 794-2121  
Fax: (909) 794-7292  
Help Line: (800) 544-4840  
E-mail: [info@nightscaping.com](mailto:info@nightscaping.com)  
<http://www.nightscaping.com>

The most powerful and durable Nightscaping® fixture yet. For tall trees up to 80', large buildings, and commercial applications designed for installation in hardscapes as well as lawns and planter areas. The Nightscaping® Bruteliter is the ultimate in power, function, durability and dependability.

**Standard Lamp:** AR111 100 watts 30 degree beam

**Material:** Solid Cast Brass

**Finish:** GU-0865BR BR (standard) Brass  
GU-0865BR BR-V Brass-Verde  
GU-0865BR BR-1, -2, -3, -4, -7, -8, -9, -AV, -VP, -W  
(Optional w/surcharge)

**Lens:** Clear Tempered Glass (standard)

**Mounting:** Ground Mount as Well-Light or Surface Mount

*Nightscaping®*

# Bruteliter

GU-0865BR

*Nightscaping*<sup>®</sup>

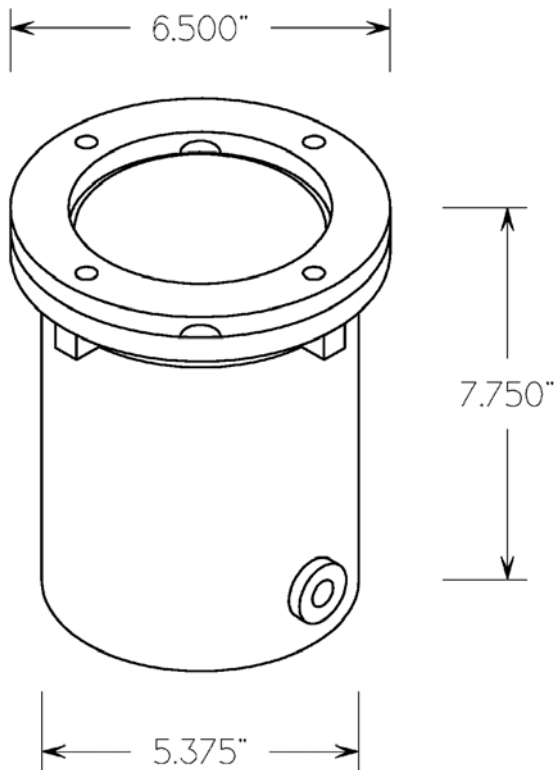
---

<b>Alternative Lamps:</b>	GU-0865BR	-LO4405*, -LO4406, -LO4411, -LO4415, -LO4416, -LO4446*, -LO25NSP*, -LO25VNS*, -LO25VWFL*, -LO25WFL*, -LO36NSP*, -LO36VNS*, -LO36WFL*, -LO50NSP*, -LO50VNS*, -LO50VWFL*, -LO50WFL*
	<b>Halogen PAR36 Screw Terminal Lamps:</b>	
	GU-0865BR	-LO7600*, -LO7606*, -LO7610*, -LO7616*, -LOH35NSP*, -LOH35VNS*, -LO35WFL*, -LOH50NSP*, -LOH50VNS*, -LOH50WFL*
	* = Surcharge	

---

**Warranty:** 10-Year 'Repair or Replace' Warranty.

---



## **DESIGN TIP\***

Great for throwing a wide pattern of low-profile light across a driveway.

---