

# Belleliter

GD-4009

Pathlighting  
Stairway/Step Lighting  
Downlighting  
Highlighting  
Recreational Lighting



**Nightscaping®**  
1705 E. Colton Avenue  
Redlands, California 92374  
Tel: (909) 794-2121  
Fax: (909) 794-7292  
Help Line: (800) 544-4840  
E-mail: [info@nightscaping.com](mailto:info@nightscaping.com)  
<http://www.nightscaping.com>

The Belleliter is an attractive, visible fixture you can use in informal plantings, along winding paths or to illuminate borders in the landscape. The fixture top is adjustable and allows for precise light direction and control. For uniform light distribution, place fixtures no more than 12 feet apart. Or, create interesting light and dark patterns by allowing further spacing between your Bellelites.

**Standard Lamp:** GD-4009-1 -LO93 (Standard)

**Material:** **Bell:** Cast Aluminum  
**Stem:** Phosphatized Steel

**Finish:** GD-4009 -1, -7 (Standard)  
GD-4009 -2, -3, -4, -8, -9, -AV, -VP, -W  
(Optional w/surcharge)

**Socket:** Non-corroding polycarbonate (Single-Contact Bayonet)

**Mounting:** Spike Mount (Standard)

*Nightscaping®*

# Belleliter

GD-4009



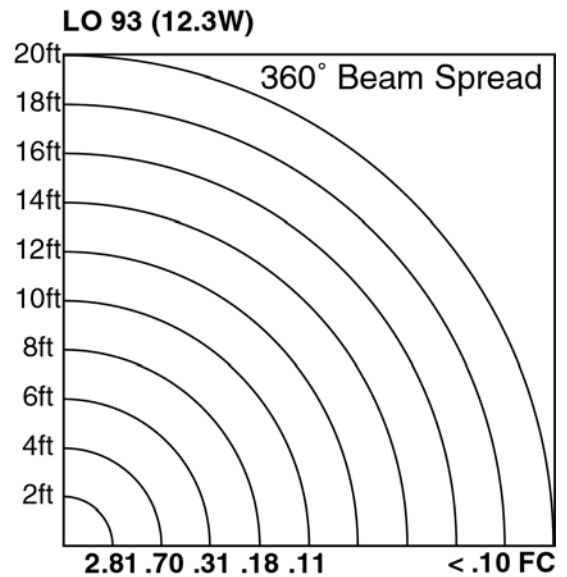
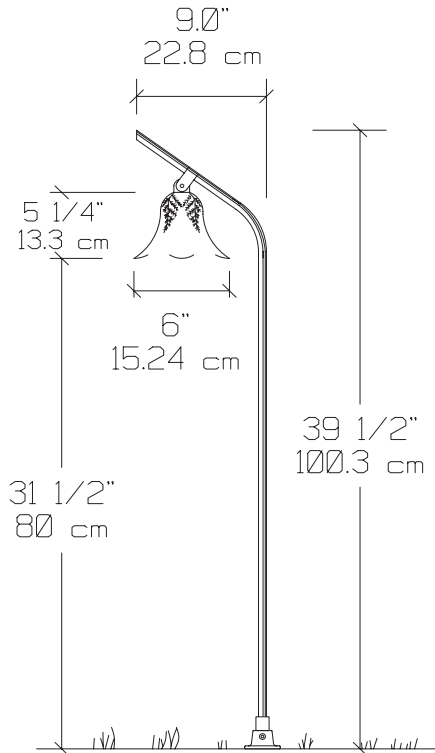
*Nightscaping*

**Alternative Lamps:** GD-4009-1 -LO1141, -LO1156, -LO67, -LO89 (Optional)

**Mounting Options:** GD-4009-1-LO93 -CM (Optional) Conduit Mount with 1/2" male pipe threads. (Factory installed)  
 GD-4009-1-LO93 -FMO (Optional) Floor Mount - Aluminum

**Options:** See above indications

**Warranty:** 10-Year 'Repair or Replace' Warranty.



STANDARD LAMP PHOTOMETRIC

## DESIGN TIP\*

Try using the Belleliter to illuminate home putting greens and driveways.