

# Apollo TD-1811CU

Downlighting  
Architectural Lighting  
Patio/Gazebo Lighting  
Recreational Lighting  
Area Lighting  
Highlighting  
Wall Lighting  
Moonlighting



**NIGHTSCAPING®**  
1705 E. Colton Avenue  
Redlands, California 92374  
Tel: (909) 794-2121  
Fax: (909) 794-7292  
Help Line: (800) 544-4840  
E-mail: [info@nightscaping.com](mailto:info@nightscaping.com)  
<http://www.nightscaping.com>

Bring back the romance of the 1920's with the newest addition to our line of copper fixtures. Add a bit of nostalgia to your outdoor dining area by hanging this over the table, entryway, porches, under pergolas and patios, inside gazebos, over bbq's and bar areas. . This hanging fixture is perfect for use wherever clear, natural wide spread light is needed.

**Standard Lamp:** TD-1811CU LO1211  
**Material:** Copper  
**Finish:** TD-1811CU Copper  
**Lens:** None  
**Socket:** Bi-pin, 12 Volt 11 Watt Compact Fluorescent lamp  
**Mounting:** Ceiling/overhead mount

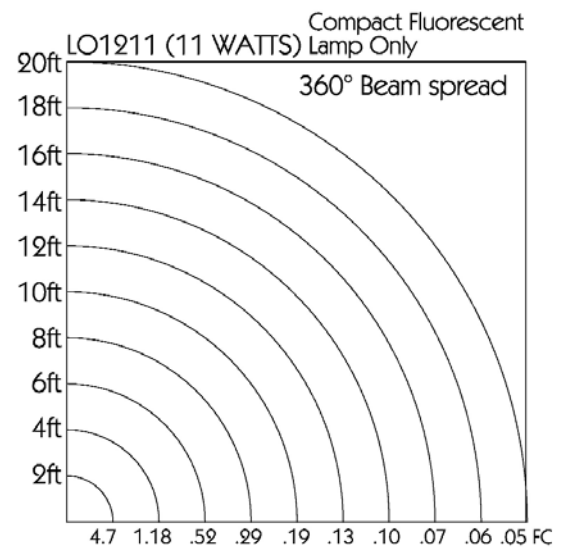
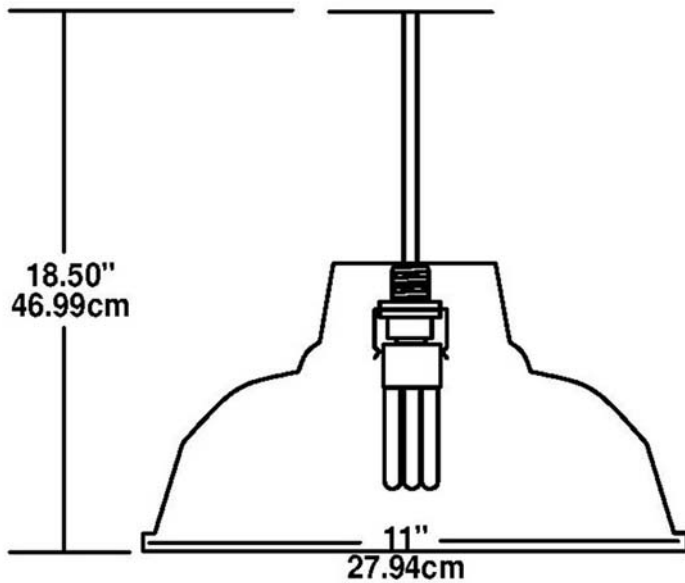
*Nightscaping®*

# Apollo

TD-1811CU

*Nightscaping*

**Warranty:** 10-Year 'Repair or Replace' Warranty.



STANDARD LAMP PHOTOMETRIC

**DESIGN TIP\***