

Acrobat WM-0204CU

- Downlighting
- Spot Lighting
- Architectural Lighting
- Patio/Gazebo Lighting
- Fountain/Statue Lighting
- Highlighting
- Sign Lighting
- Wall Lighting
- Reflective Lighting
- Cross Lighting
- Reflective Lighting
- Area Lighting



Nightscaping®
 1705 E. Colton Avenue
 Redlands, California 92374
 Tel: (909) 794-2121
 Fax: (909) 794-7292
 Help Line: (800) 544-4840
 E-mail: info@nightscaping.com
<http://www.nightscaping.com>

Downlight from trees, architecture or other landscape structure with the Nightscaping®. It features an MR-11 covered glass lamp and compact design that allows you to install the Acrobat in tight spaces where other downlights may be too large. This Copper fixture is a perfect example of Nightscaping's® see the effect not the source design philosophy.

Lamp Standard	WM-0204CU	-LOI2010C (Standard)
Material:	Body: Copper	Mount Plate/Yoke: Brass
Finish:	WM-0204	CU (Standard) Copper
	WM-0204	CU-1, -3, -4, -5, -7, -8, -9, -W (Optional w/surcharge)
Socket:	Ceramic G6.35 Bi-Pin	
Mounting:	Wall Mount (Standard)	

Nightscaping®

Acrobat

WM-0204CU



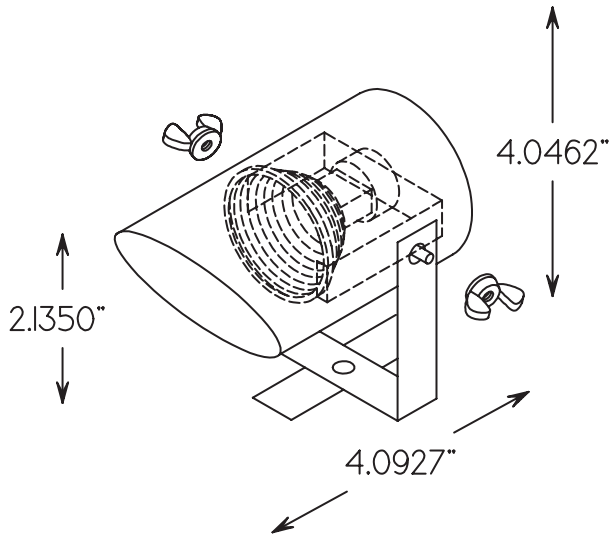
Nightscaping

Alternative Lamps: BM-0204CU -LO93 (SCB Lamp Option)
-LO2060, -LO3540, -LO5060

Mount: 0672BR Tree Mount Bracket

Options: See above indications

Warranty: 10-Year 'Repair or Replace' Warranty.



	LO2010C (20W)	ft' x ft'
2ft	3"	840 FC
4ft	7"	230
6ft	11"	100
8ft	13"	50
10ft	18"	37
12ft	1'10"	26
14ft	2'2"	19
16ft	2'6"	14
18ft	2'10"	11
20ft	3'1"	9

STANDARD LAMP PHOTOMETRIC