

**MATERIALS:**

TOP/STEM: STAINLESS STEEL  
(ALSO ABVAILABLE IN COPPER)

**LAMP:**

LO1156 (STANDARD)  
21.2 WATTS, SINGLE-CONTACT BAYONET

**FINISH:**

- GU-1109  
-1 (BLACK)  
-7 (WEATHERED IRON)  
(STANDARD POLYESTER  
POWDER COAT)  
GU-1109  
-2 (NATIVE GREEN)  
-3 (TAN)  
-4 (BRONZE)  
-8 (SANDSTONE)  
-9 (EARTHTONE)  
-W (WHITE)  
-AV (ANTIQUÉ VERDE)  
-VP (VERDE POWDER)  
(OPTIONAL POLYESTER POWDER  
COAT: ADDITIONAL CHARGE)  
GU-1109CU  
NATURAL COPPER (ADDITIONAL CHARGE)  
GU-1109CU-V  
COPPER VERDE  
(ADDITIONAL CHARGE)

**LENS:**

OPAQUE MOONSTONE GLASS (STANDARD)

**SOCKET:**

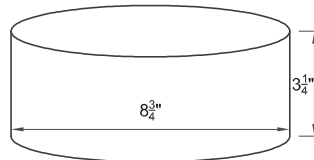
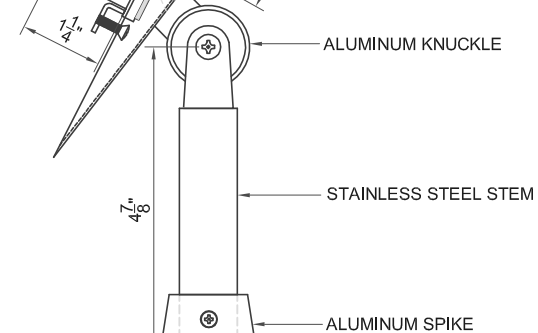
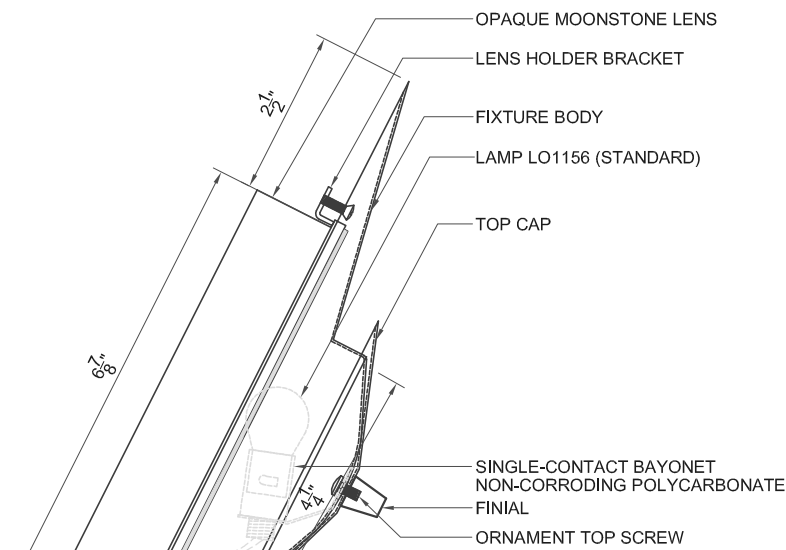
SINGLE CONTACT BAYONET  
NON-CORRODING POLYCARBONATE

**MOUNTING:**

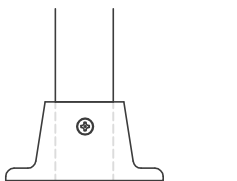
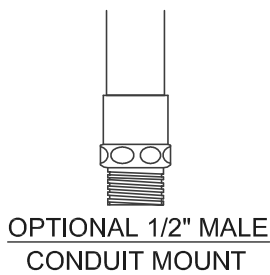
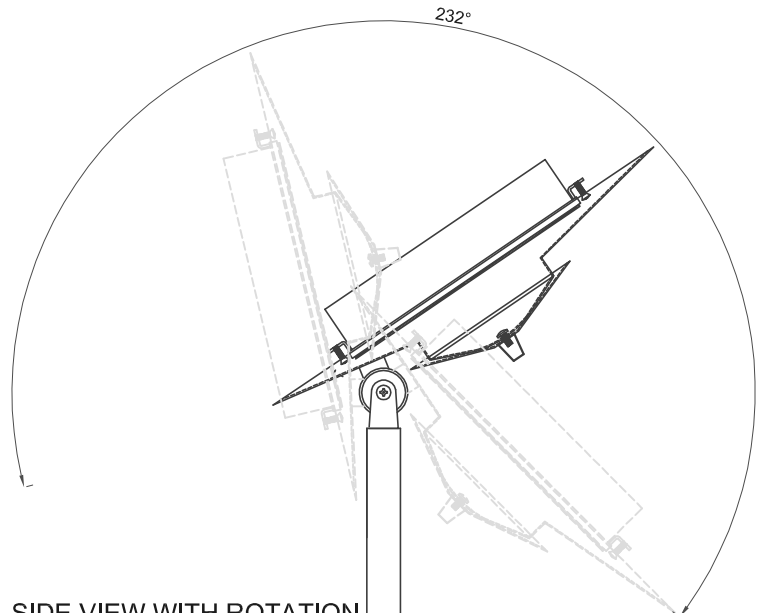
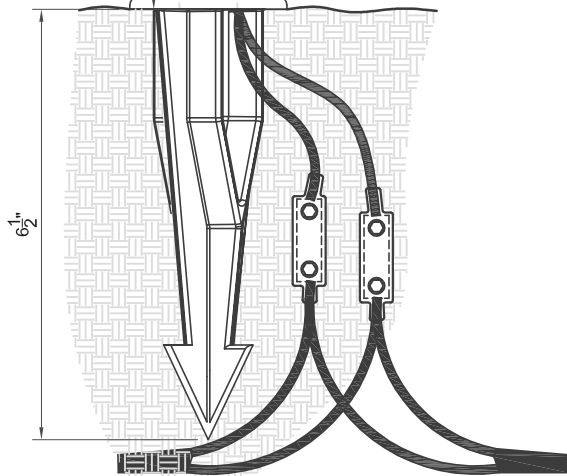
ALUMINUM SPIKE MOUNT (STANDARD)

**LAMP REPLACEMENT:**

NOTICE HOW CLAMPS WORK BEFORE STARTING  
REMOVE FOUR SCREWS ON TOP OF FIXTURE  
PUSH BULB IN, TWIST COUNTER-CLOCKWISE  
REMOVE OLD BULB, REPLACE WITH NEW



**OPTIONAL LIGHT SHIELD  
FITS OVER LENS**



HILITER GU-1109



SIZE <b>A</b>	DRAWN BY REBEKAH PAULLUS	CLASSIFICATION BACKLIGHTING	DATE SEPTEMBER 1, 2006
------------------	-----------------------------	--------------------------------	---------------------------